

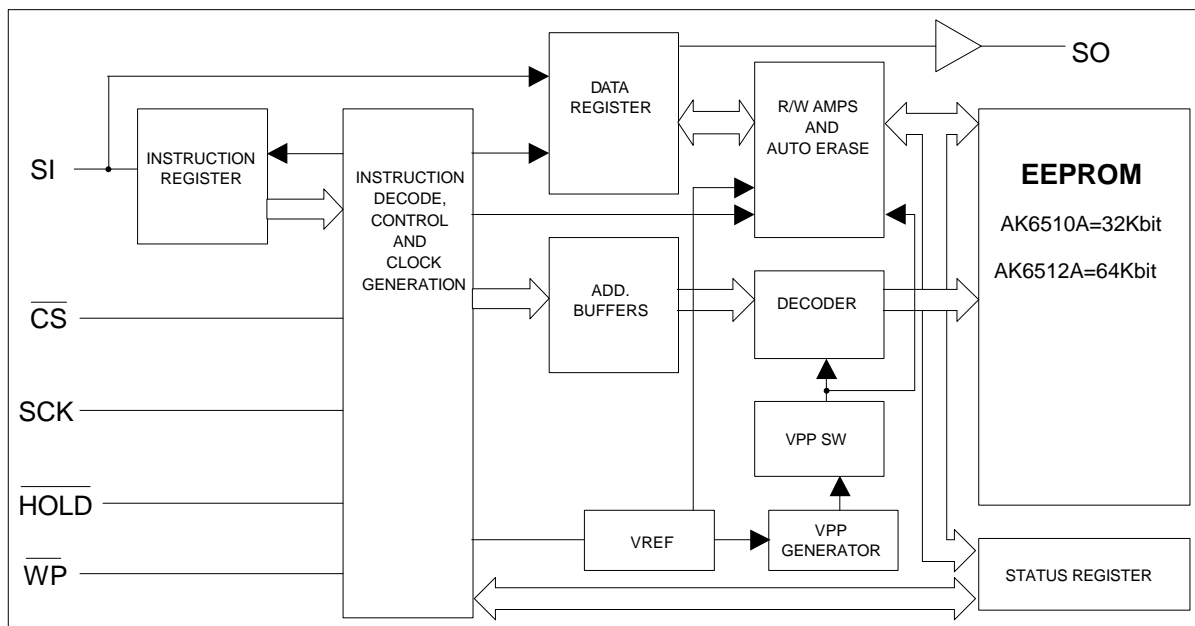
# AK6510A/12A

## SPI bus 32K / 64Kbit Serial CMOS EEPROM

### Feature

- ❑ ADVANCED CMOS EEPROM TECHNOLOGY
- ❑ LOW VCC OPERATION : Vcc = 1.8V ~ 5.5V
- ❑ AK6510A : 32Kbits, 4096 × 8 organization  
AK6512A : 64Kbits, 8192 × 8 organization
- ❑ SPI SERIAL INTERFACE
- ❑ LOW POWER CONSUMPTION
  - 0.8uA Max. Standby
- ❑ HIGH RELIABILITY
  - Endurance : 100K cycles
  - Data Retention : 10 years
- ❑ SPECIAL FEATURES
  - 32 byte page write mode
  - Block Write Protection (Protect 1/4, 1/2 or Entire Array)
  - Automatic write cycle time-out with auto-ERASE
- ❑ Software and Hardware controlled write protection
- ❑ IDEAL FOR LOW DENSITY DATA STORAGE
  - Low cost, space saving, 8-pin SOP package

**Preliminary**



Block Diagram