

# AK93C47 Series

Wide Vcc (2.5V ~ 5.5V) 1024 bit Serial Electrically Erasable PROM

## FEATURES

### ■ ADVANCED CMOS E<sup>2</sup>PROM TECHNOLOGY

#### ■ READ/WRITE NON-VOLATILE MEMORY

- Wide Vcc (2.5V ~ 5.5V) operation
- 1024 bits, 64 × 16 organization
- Easy to use yet versatile serial data interface

#### ■ LOW POWER CONSUMPTION

- 5mA Max Active
- 1mA Max Standby, TTL interface
- 100 μA Max Standby, CMOS interface

#### ■ SPECIAL FEATURES

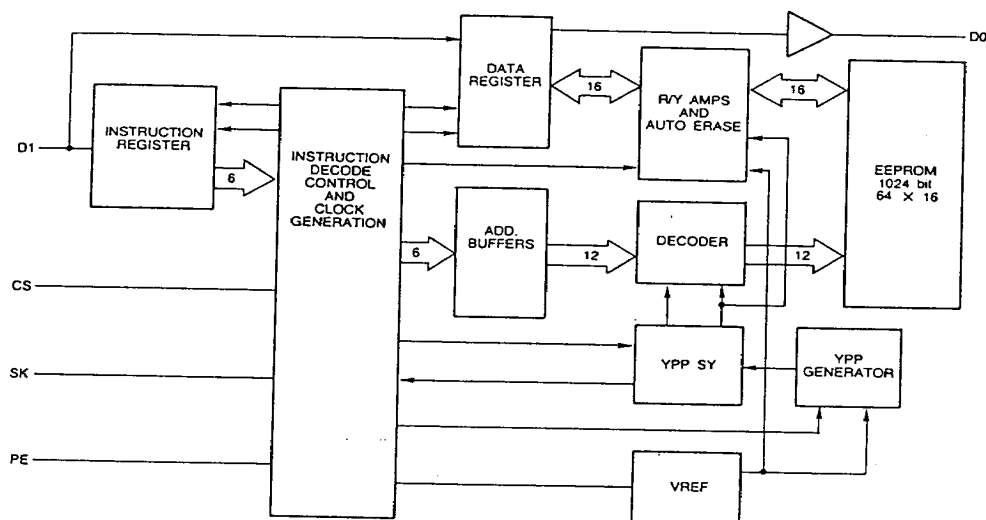
- Automatic write cycle time-out with auto-ERASE
- Ready/Busy status signal
- Software and Hardware controlled write protection

### ■ IDEAL FOR LOW DENSITY DATA STORAGE

- Low cost, space saving, 8-pin package
- Interfaces with popular microcontrollers and standard micro processors

### ■ APPLICATION VERSATILITY

- Alarm Devices, Electronic Locks, Appliances, Terminals, Smart Cards, Satellite Receivers, Meters, Telephones, Tuners, etc.



Block Diagram

## GENERAL DESCRIPTION

The AK93C47 is a 1024-bit, serial, read/write, non-volatile memory device fabricated using an advanced CMOS E<sup>2</sup>PROM technology. Its 1024 bits of memory are organized into 64 registers of 16 bits each. It can operate full function under wide operating voltage range from 2.5V to 5.5V.

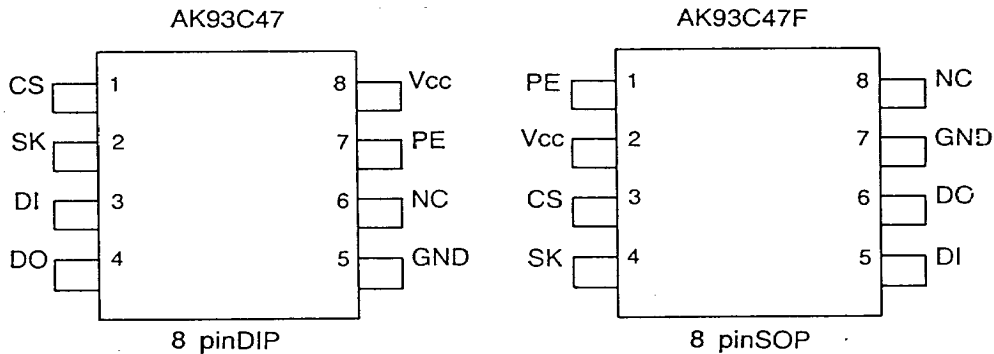
Each register is individually addressable for serial read or write operations. A versatile serial interface, consisting of chip select, clock, program enable, data-in and data-out, can easily be controlled by popular microcontrollers or standard microprocessors.

Low power consumption, low cost, and space efficiency make the AK93C47 an ideal candidate for high volume, low density, data storage applications. Special features of the AK93C47 include: automatic write time-out with auto-ERASE, ready/busy status signal, software and hardware controlled write protection and ultra-low standby power mode when deselected (CS=low).

### ■Product Selection Guide

Model	Temp. Range	Vcc	Package
AK93C47	0°C ~ 70°C	2.5V ~ 5.5V	8 pin Plastic DIP
AK93C47F	0°C ~ 70°C	2.5V ~ 5.5V	8 pin Plastic SOP

### ■Pin Configuration



- CS = Chip Select
- SK = Serial Clock
- PE = Program Enable
- DI = Serial Data Input
- DO = Serial Data Output
- GND = Ground
- Vcc = Power Supply
- NC = Not Connected

## FUNCTIONAL DESCRIPTION

### Device Operation

The AK93C47 is a serial 1024 bit peripheral memory device intended for use in non-volatile data storage applications. Its memory organization consists of 64 registers, each 16-bits wide. Each register is independently addressable for read or write operations.

Five 11-bit serial instructions are used to control the operation of the AK93C47. These instructions are serially clocked into the DI input as controlled by the CS, PE and SK input. The instructions include read, erase/write enable, erase/write disable, write and write all. The format of each instruction has a logical "01" as a start bit, two bits as an opcode, and 6 bits of address. During read operations the DO output is valid as data out after the address is entered. PE (Program Enable) input prevents any accidental programming. PE must be kept high during entering instructions of WRITE and WRAL. After a write instruction, the DO output serves as a ready/busy status indicator signaling when the operation is complete allowing further read or write access. The ready/busy status indicator is only valid when CS is active (high). When CS is low, the DO output goes into a high impedance state. After a new instruction is initiated, the DO output also goes to high impedance.

CS must be brought low for a minimum of 250ns (Tcs) between consecutive instruction cycles.

During a programming mode (WRITE, WRAL), SK clock is only needed while the actual instruction, i.e. start bit, op-code address and data is being input. It can remain deactivated during the self-timed programming cycle and status check.

### Read

The read instruction is the only instruction which outputs serial data on the DO pin. After a read instruction is received, the instruction and address are decoded, followed by data transfer from the memory register into a 16-bit serial-out-shift register. A dummy bit (logical "0") precedes the 16-bit data output string. The output data changes during the high states of the system clock.

### Erase/Write Enable and Disable

When Vcc is applied to the part it powers up in the programming disable (EWDS) state. Programming must be preceded by a programming enable (EWEN) instruction. Programming remains enabled until a programming disable (EWDS) instruction is executed or Vcc is removed from the part. The programming disable instruction is provided to protect against accidental data disturb. Execution of a read instruction is independent of both EWEN and EWDS instructions.

### Write

The write instruction is followed by 16 bits of data to be written into the specified address. After the last bit of data is put on the data in (DI) pin, CS must be brought low before the next rising edge of the SK clock. PE must be kept high during entering the instruction. This falling edge of CS initiates the self-timed programming cycle. Like all programming modes, DO indicates the ready/busy status of the chip if CS is brought high after a minimum of 250ns (Tcs). DO= logical "0" indicates that programming is still in progress. DO= logical "1" indicates that the register at the address specified in the instruction has been rewritten with the new data pattern specified in the instruction and the part is ready for another instruction. The register to be written into is not necessary to be erased before write operation. DI must be brought low during the self-timed programming cycle and status check. PE must be kept high during entering instruction.

### Write-All

The write-all (WRAL) command writes all registers with the new data pattern specified in the instruction. This command is provided for device evaluation purposes only and is not meant to be used for normal operation. PE must be kept high during entering instruction.

### ■ Instruction Set For 93C47

Instruction	Start Bit	Op-code	Address	Data	Comments
READ	01	10	A <sub>5</sub> -A <sub>0</sub>		READ register
WRITE	01	01	A <sub>5</sub> -A <sub>0</sub>	D <sub>15</sub> -D <sub>0</sub>	WRITE register
EWEN	01	00	11XXXXXX		ERASE/WRITE enable
EWDS	01	00	00XXXXXX		ERASE/WRITE disable
WRAL	01	00	01XXXXXX	D <sub>15</sub> -D <sub>0</sub>	Write all registers

AK93C47 has 5 instructions as shown. Note that the Most Significant Bit of any given instruction is a "01" and is viewed as a start bit in the interface sequence. The next 8 bits carry the op-code and the 6-bit address for 1 of 64, 16-bit registers.

## ABSOLUTE MAXIMUM RATINGS

Voltage relative to ground	-0.6V to +6.0V	Lead temperature (soldering 10 sec.)	+260°C
Ambient storage temperature	-65°C to +125°C		

Stress above those listed under "Absolute Maximum Ratings" may cause permanent damage to the device. This is a stress rating only and functional operation of the device at these or any other

conditions above those indicated in the operational sections of the specification is not implied. Exposure to absolute maximum conditions for extended periods may affect device reliability.

## OPERATING CONDITIONS

Temperature Range	0°C to +70°C	Vcc Power Supply	2.5V ~ 5.5V
-------------------	--------------	------------------	-------------

## NON-VOLATILE CHARACTERISTICS

Symbol	Parameter	Conditions	MIN.	TYP.	MAX.	UNITS
$T_{DR}$	Data Retention Time	$T_a=70^{\circ}\text{C}$	10			Year
$N_{EW}$	Write/Erase Cycles			$10^4$		Cycle

## D.C. ELECTRICAL CHARACTERISTICS

 $4.5\text{V} \leq V_{CC} \leq 5.5\text{V}, 0^{\circ}\text{C} \leq T_a \leq 70^{\circ}\text{C}$ 

Symbol	Parameter	Conditions	MIN.	MAX.	UNIT
$I_{CC}$	Operating Current TTL/CMOS Inputs	DO=OPEN, CS=PE= $V_{IH}$ $V_{CC}=5.5\text{V}, f=2\text{MHz}$		5	mA
$I_{CCSB1}$	Standby Current TTL Inputs	$V_{CC}=5.5\text{V}, CS=V_{IL}$ DO=OPEN		1	mA
$I_{CCSB2}$	Standby Current CMOS Inputs	$V_{CC}=5.5\text{V}, CS=V_{IL}$ Inputs= $V_{CC}$ or GND DO=OPEN		100	$\mu\text{A}$
$V_{IL}$	Input Voltage Low		-0.1	0.8	V
$V_{IH}$	Input Voltage High		2.0	$V_{CC}+1$	V
$V_{OL}$	Output Voltage Low	$I_{OL}=2.1\text{mA}$		0.4	V
$V_{OH}$	Output Voltage High	$I_{OH}=0.4\text{mA}$	2.2		V
$I_{LI}$	Input Leakage Current	$V_{IN}=5.5\text{V}$		10	$\mu\text{A}$
$I_{LO}$	Output Leakage Current	$V_{OUT}=5.5\text{V}, CS=0\text{V}$		10	$\mu\text{A}$

 AK93C47 is TTL compatible under  $V_{CC}=4.5 \sim 5.5\text{V}$ .

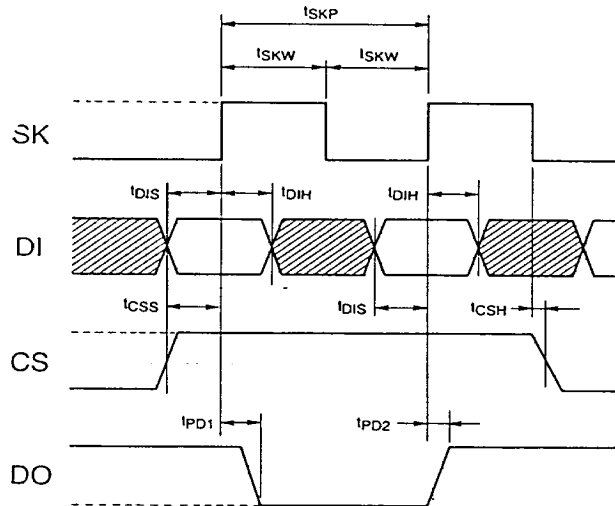
## A.C. ELECTRICAL CHARACTERISTICS

 $4.5\text{V} \leq V_{CC} \leq 5.5\text{V}, 0^{\circ}\text{C} \leq T_a \leq 70^{\circ}\text{C}$ 

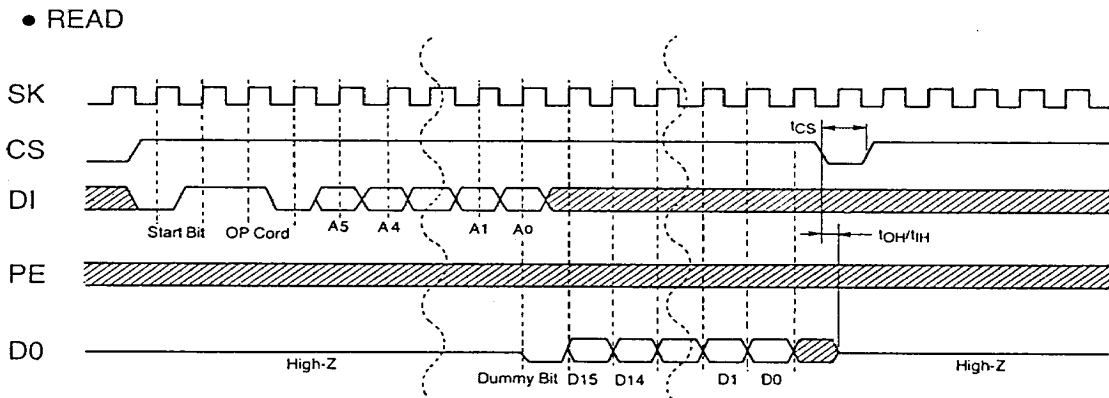
Symbol	Parameter	Conditions	MIN.	MAX.	UNIT
$t_{SKP}$	SK Cycle Time		500		ns
$t_{SKW}$	SK Pulse Width low/high		200		ns
$t_{CSS}$	CS Setup Time		100		ns
$t_{CSH}$	CS Hold Time		0		ns
$t_{DIS}$	Data Setup Time		200		ns
$t_{DIH}$	Data Hold Time		200		ns
$t_{PD1}$	SK to DO Delay 1	$C_L=100\text{pF},$ $V_{OL}=1.8\text{V}, V_{OH}=2.0\text{V}$ $V_{IL}=0.45\text{V}, V_{IH}=2.4\text{V}$		500	ns
$t_{PD2}$	SK to DO Delay 2			500	ns
$t_{EW}$	Selftimed Program Cycle			10	ms
$t_{CS}$	Min CS Low Time		250		ns
$t_{SV}$	CS to Status Valid	$C_L=100\text{pF}$		500	ns
$t_{OH}/t_{IH}$	CS to Output High-Z			100	ns

**AC WAVEFORM**

Synchronous Data timing

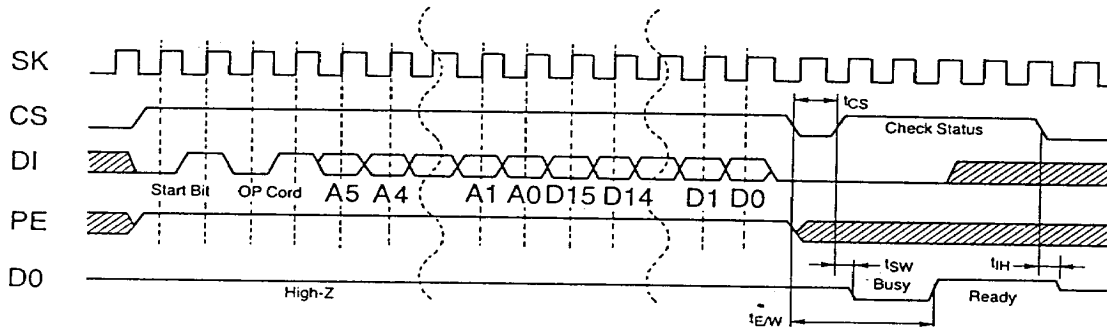


Instruction Timing

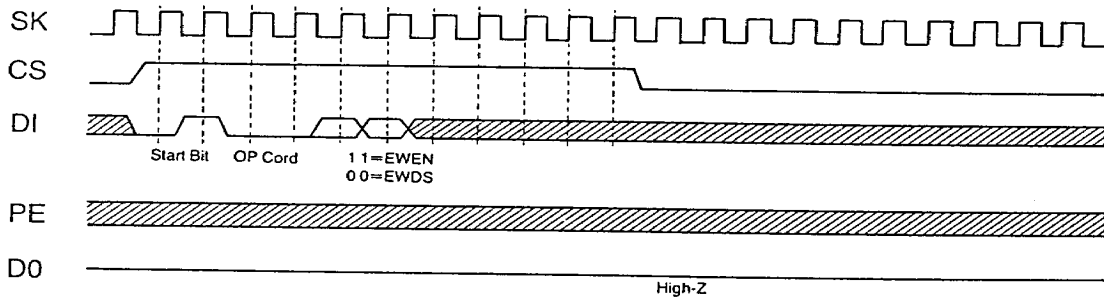


□ Instruction Timing (Continued)

• WRITE



• EWEN/EWDS



• WRAL

