

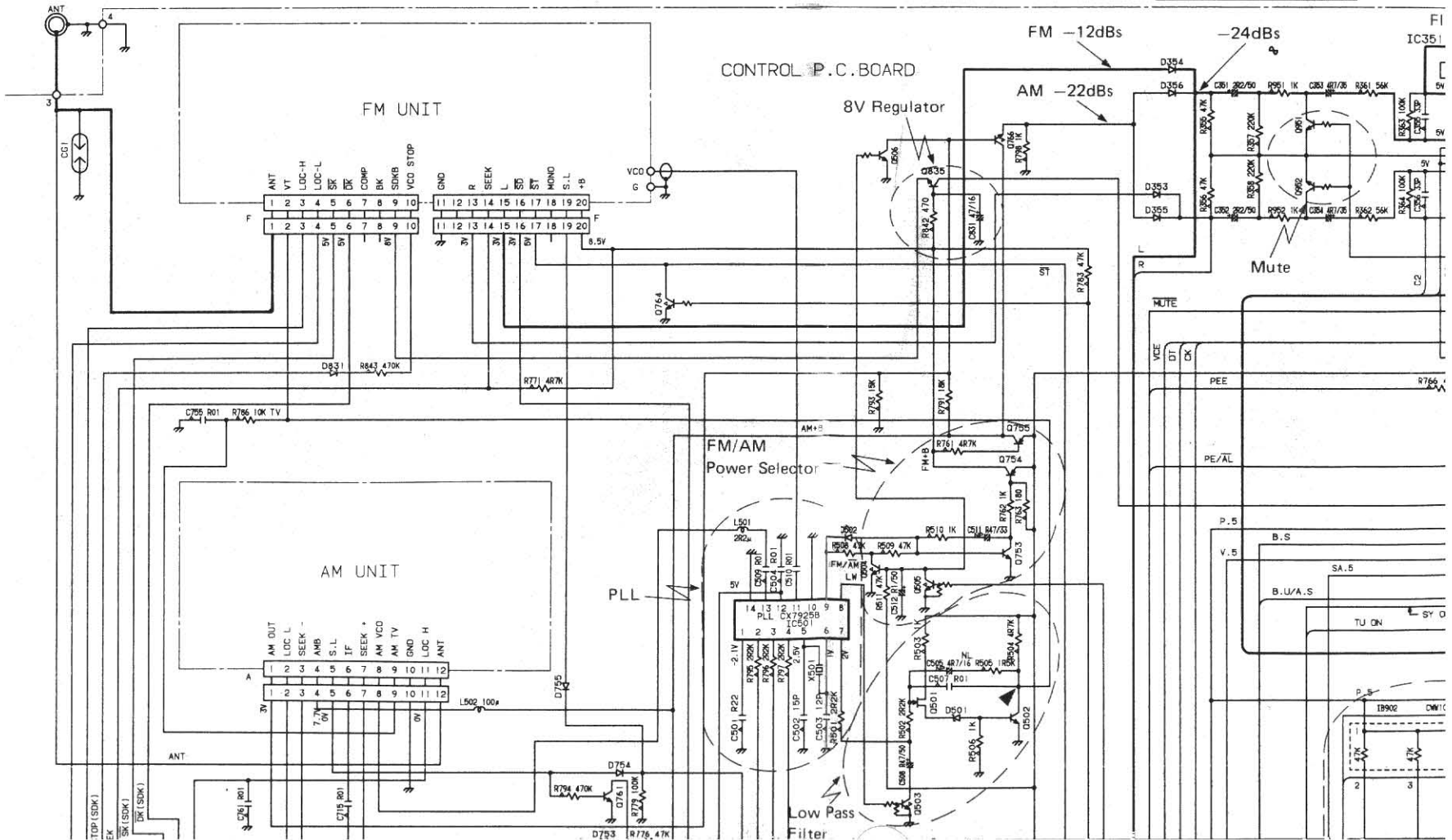
9. SCHEMATIC CIRCUIT DIAGRAM (KEH-9080SDK)

CONTROL P.C. BOARD

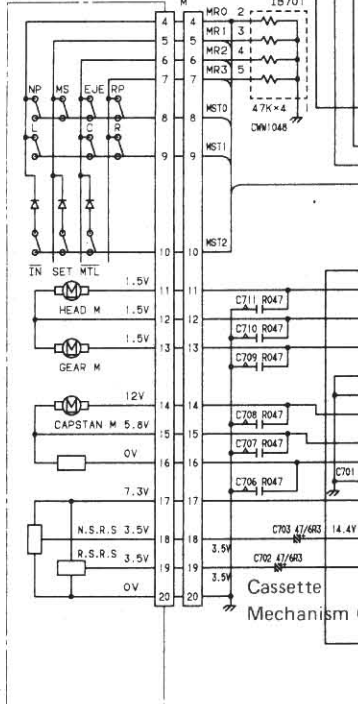
| | | |
|---|-----------------------|--|
| 0501 | 25K330 | 0764, 767, 768 81, 1912 |
| 0502, 623, 624, 626, 627, 701, 781, 782, 783, 784, 756, 781, 831, 832, 787, | 25C2458 (25C1740S) | 0765, 769 |
| 0503, 505 | UN2211 | 0833 |
| 0504 | UN2210 | 0835 |
| 0506 | UN4210 (DT144TS) | 0851, 852, 951, 954, 958, 959 |
| 0621, 629, 630 | 25B1243 | 0956 |
| 0622, 631, 753, 762 | 29C3113 | 0964, 965 |
| 0625, 628, 854 | 25D1864 | |
| 0702, 766, 940, 941, 942, 943 | 25C2712 (25D601) | 0251, 251, 352 355, 356, 506, 509, 510, 511, 756, 757, 758, 905, 906 |
| 0754 | 25A1150 | |
| 0755, 955 | 25A1048 | |
| 0759, 760 | UN4213 (DT144ES) | |

NOTE:

- Indicates a chip capacitor.
 - Indicates a chip resistor.
 - Indicates a chip diode.
 - Indicates a chip transistor.
- Decimal points for resistor and capacitor fixed values are expressed as:
 2.2 → 2R2
 0.022 → R022



CASSETTE MECHANISM ASSY

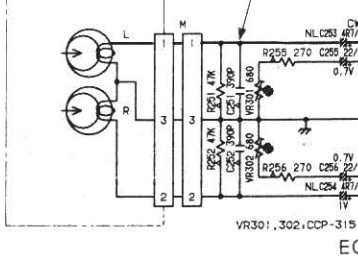


Cassette Mechanism Control

-71.5dBs (-70dBs)

-33.7dBs (32.2dBs)

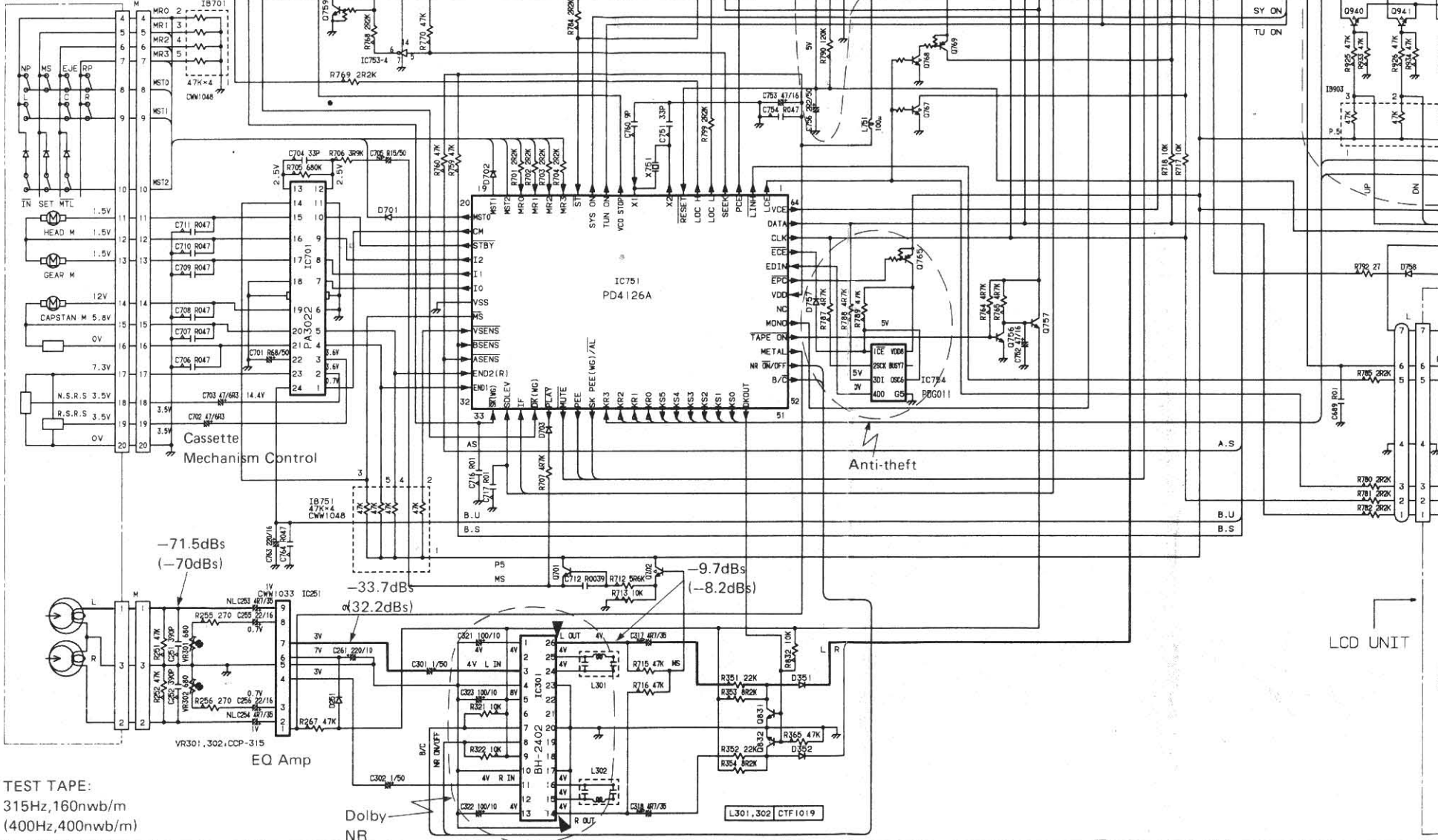
-9.7dBs (-8.2dBs)



EQ Amp

TEST TAPE:
315Hz, 160nwb/m
(400Hz, 400nwb/m)

Dolby NR



Low Pass Filter

Reset

Anti-theft

LCD UNIT

RD
5B
(740S)
7
(47S)
43
13
14
12
17
40
50
48
3
(4ES)

| | |
|--|--------------------|
| 0764, 767, 768, 901, 902, 911, 912 | UN2210 |
| 0765, 769 | UN4111 (DTA) (4ES) |
| 0833 | UN4213 |
| 0835 | 2SD1055F |
| 0851, 852, 951, 952, 953, 954, 958, 959 | DTC343TS |
| 0956 | UN4211 (DTA) (4ES) |
| 0964, 965 | 2SA1162 (2SB709) |
| D251, 351, 352, 353, 354, 355, 356, 506, 508, 701, 702, 703, 704, 705, 706, 707, 756, 757, 758, 759, 831, 905, 906 | SS176 (US1040M) |

| | |
|-----------|----------------------|
| D501 | HZSR2UB1 (RDR8R2UB2) |
| D622 | HZSR2UB1 (RDR8R2UB2) |
| D623 | HZSR2UB1 (RDR8R2UB2) |
| D624 | HZSR6JB2 (RDR6R6SB2) |
| D625 | HZSR6JB3 (RDR6R6SB3) |
| D751, 752 | HZSR6JB3 (RDR6R6SB3) |

SWITCH UNIT

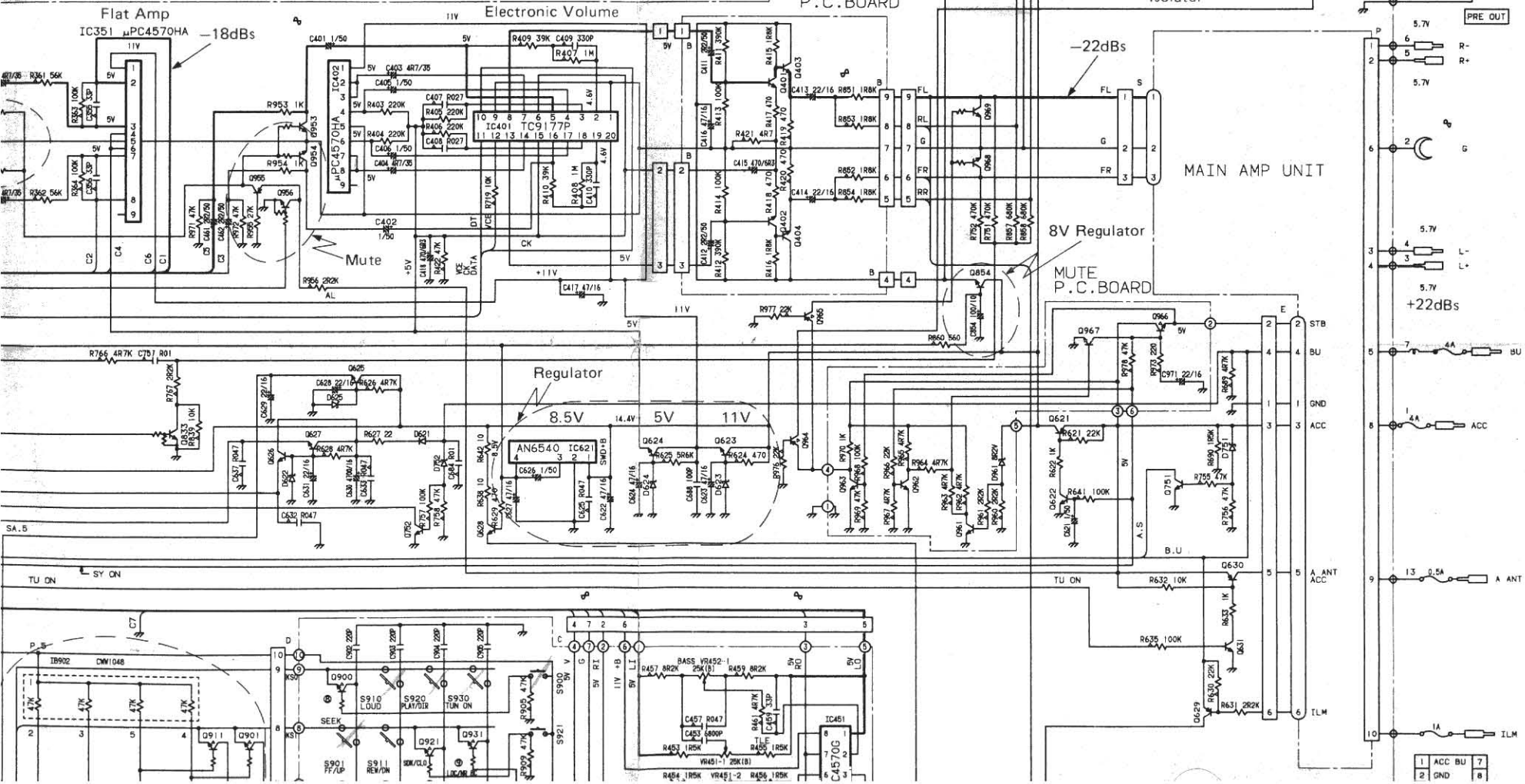
| | |
|--|---------|
| 0900, 903, 921, 931, 932, 934 | UN2210 |
| S900, 904, 910, 914, 920, 924, 930, 934, 940 | CSG-253 |

MUTE P.C. BOARD

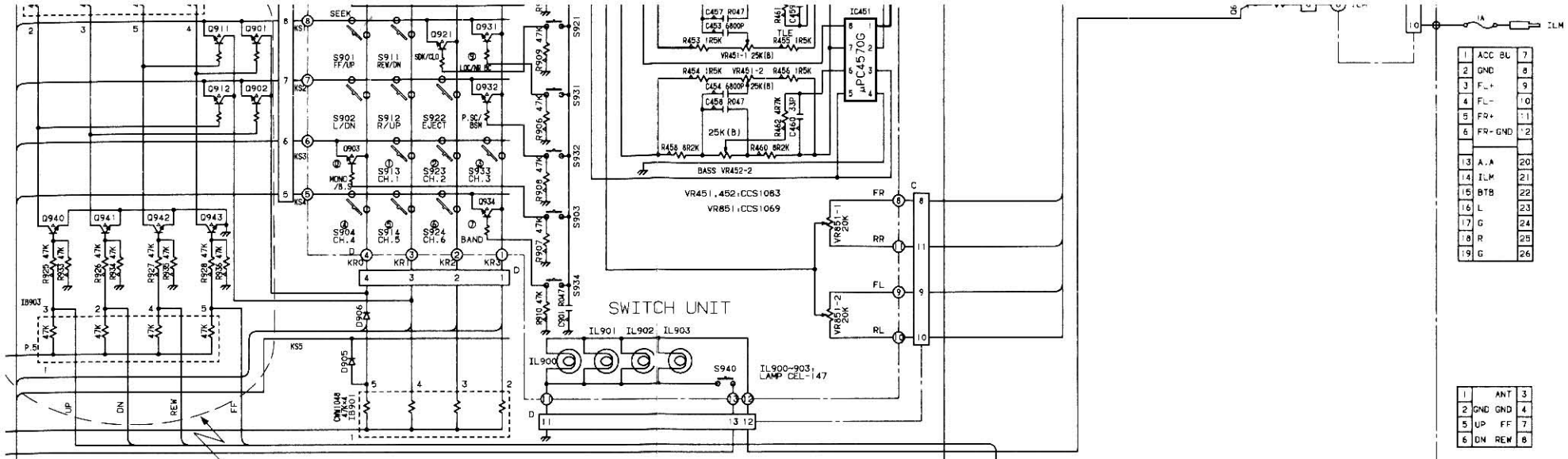
| | |
|-----------|--------------------|
| D401, 402 | 2SC3113 |
| D403, 404 | 2SC2458 (2SC1740S) |

BUFFER P.C. BOARD

| | |
|----------------|----------------------|
| D961, 962, 966 | 2SC2712 (2SD601) |
| D963 | 2SC3113 |
| D967 | 2SD1055F |
| D961 | HZSR2UB2 (RDR8R2UB2) |



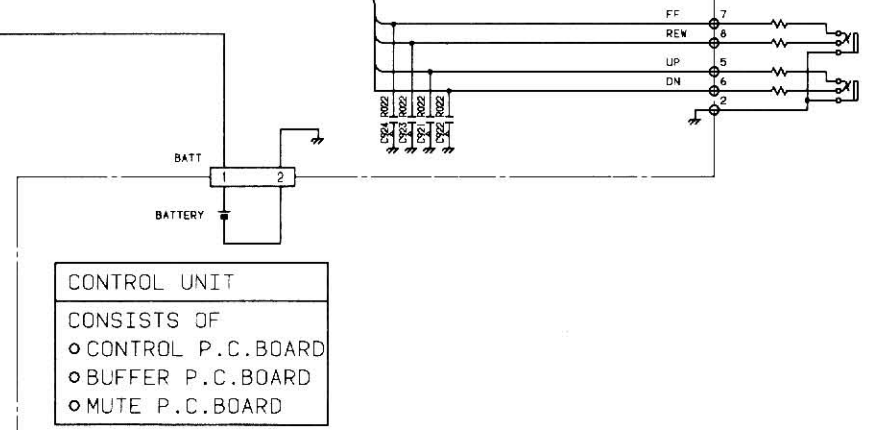
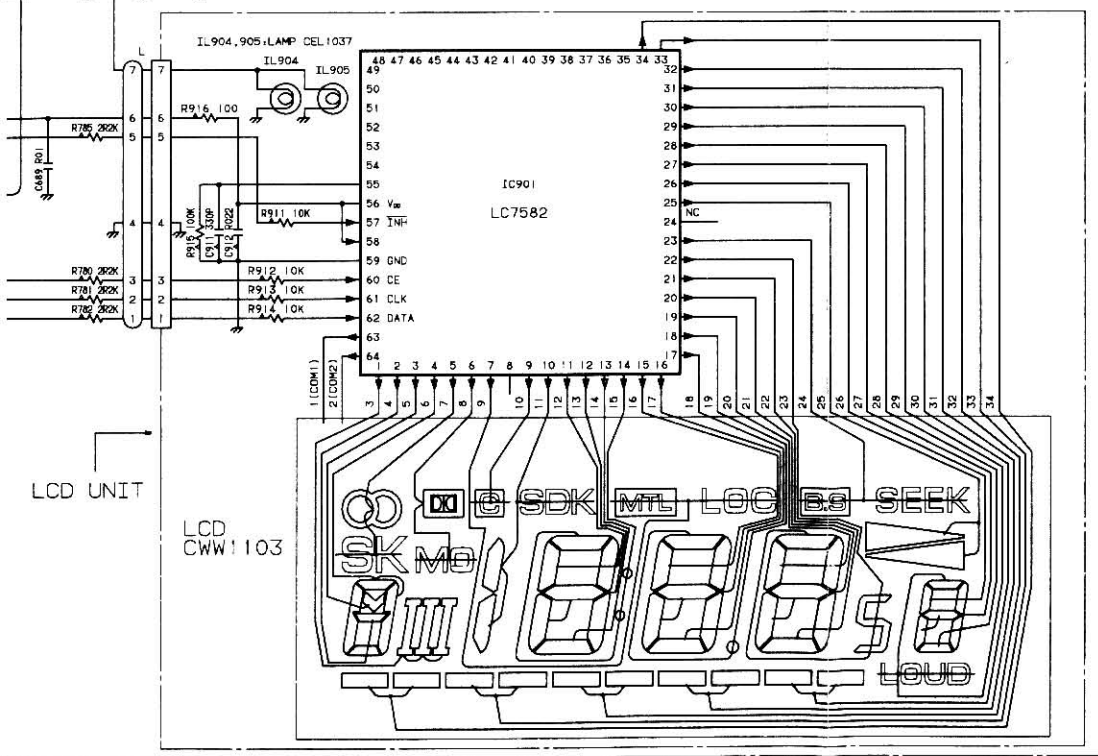
| | | |
|---|--------|---|
| 1 | ACC BU | 7 |
| 2 | GND | 8 |



| | | |
|----|--------|----|
| 1 | ACC BL | 7 |
| 2 | GND | 8 |
| 3 | FL+ | 9 |
| 4 | FL- | 10 |
| 5 | FR+ | 11 |
| 6 | FR-GND | 12 |
| 13 | A.A | 20 |
| 14 | ILM | 21 |
| 15 | BTB | 22 |
| 16 | L | 23 |
| 17 | G | 24 |
| 18 | R | 25 |
| 19 | G | 26 |

| | | |
|---|---------|---|
| 1 | ANT | 3 |
| 2 | GND GND | 4 |
| 5 | UP FF | 7 |
| 6 | DN REW | 8 |

Remote Switch



CONTROL UNIT
 CONSISTS OF
 ○ CONTROL P.C.BOARD
 ○ BUFFER P.C.BOARD
 ○ MUTE P.C.BOARD