

Service Manual

AUTOMOTIVE ELECTRONICS

COMPACT
disc
DIGITAL AUDIO



AUDI

CQ-JA1920L

CQ-JA1924L

AM/FM MPX ELECTRONIC TUNING
RADIO with Stereo Cassette Tape
Player and CD Player

AUDI No. (CQ-JA1920L) : 8D0 035 195E

AUDI No. (CQ-JA1924L) : 8Z0 035 196

VEHICLE (CQ-JA1920L) : Audi A4

VEHICLE (CQ-JA1924L) : Audi A2

DESTINATION : Europe

SALE DATE : May., 2000

Specification

General

Power Supply	DC 12V (11V - 16V), Test Voltage 13.2V Negative Ground
Current Consumption	Less than 4.0A
Power Output	12W×12W
Speaker Impedance	4Ω

AM Radio

Frequency Range	531 - 1,602kHz
Signal to Noise Ratio	23dB(μV) (S/N 20dB)

FM Stereo Radio

Frequency Range	87.5 - 108.0MHz
Usable Sensitivity	5dB/μV (S/N 30dB)

CD Player

Signal to Noise Ratio	More than 90dB
Channel Separation	More than 80dB

Total Harmonic Distortion	Less than 0.02%
---------------------------	-----------------

Tape Player


Reproduction System	4-Track, 2-Program Stereo
Tape Speed	1-7/8" (4.76cm/sec)
Signal to Noise Ratio	More than 42dB
Wow and Flutter	0.09% (WRMS)
Stereo Separation	More than 30dB

Dimensions**	178×164.5×110mm
--------------	-----------------

* Specifications and the design are subject to possible modification without notice due to improvements.

** Dimensions and Weight shown are approximate.

Dolby noise reduction manufactured under license from Dolby Laboratories Licensing Corporation.

"Dolby" and the double-D symbol  are trade marks of Dolby Laboratories Licensing Corporation.

Panasonic

© 2001 Matsushita Communication Industrial Co., Ltd. All rights reserved. Unauthorized copying and distribution is a violation of law.

⚠ WARNING

This service information is designed for experienced repair technicians only and is not designed for use by the general public. It does not contain warnings or cautions to advise non-technical individuals of potential dangers in attempting to service a product. Products powered by electricity should be serviced or repaired only by experienced professional technicians. Any attempt to service or repair the product or products dealt with in this service information by anyone else could result in serious injury or death.

CONTENTS

	Page		Page
1 FEATUERS	2	11 REPLACEMENT PARTS LIST	16
2 LASER PRODUCTS	2	12 EXPLODED VIEW (Unit)	25
3 REAR VIEW AND CONNECTORS	2	13 CD PLAYER PARTS	26
4 FRONT VIEW AND FUNCTIONS	3	14 EXPLODED VIEW (CD Deck)	28
5 ALIGNMENT INSTRUCTIONS	4	15 TAPE PLAYER PARTS	29
6 ALIGNMENT POINTS	4	16 EXPLODED VIEW (Tape Deck)	30
7 WIRING CONNECTION	5	17 WIRING DIAGRAM	31
8 BLOCK DIAGRAM	6	18 SCHEMATIC DIAGRAM -1	40
9 TERMINALS DESCRIPTION	8	19 SCHEMATIC DIAGRAM -2	41
10 PACKAGE AND IC BLOCK DIAGRAM	12		

1 FEATUERS

- PLL (Phase Locked Loop) synthesized tuning.
- 24-station preset (12-AM, 12-FM).
- RDS function.
- Diversity function.
- Dolby Noise Reduction System.
- CD changer control.
- BOSE specification correspondence.
- Anti-theft system.
- CAN-BUS I/F.

2 LASER PRODUCTS

Do not take apart this unit or attempt to make any changes yourself.

This unit is very intricate that uses a laser pickup to retrieve information from the surface of compact discs. The laser is carefully shielded so that its rays remain inside the cabinet. Therefore, never try to disassemble the player or alter any of its parts since you may be exposed to laser rays and dangerous voltages.

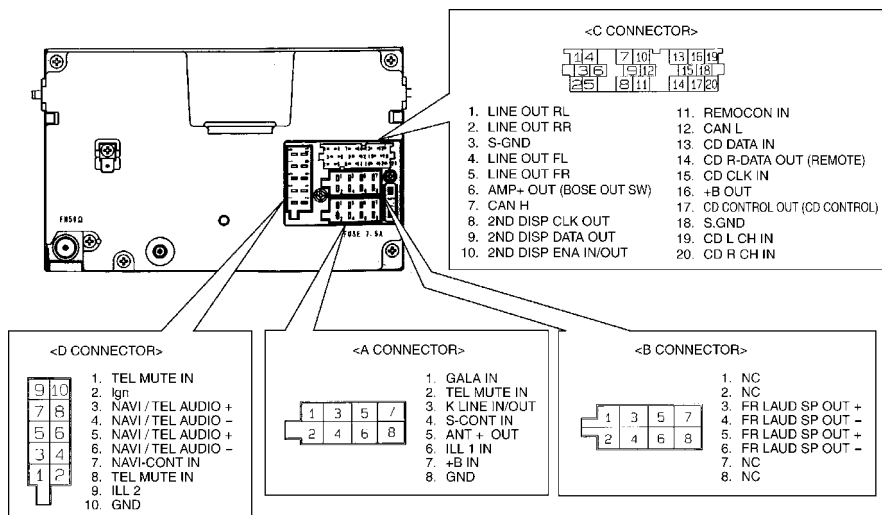
Laser products :

Wave length	780nm
Laser power	No hazardous radiation is emitted with safety protection.

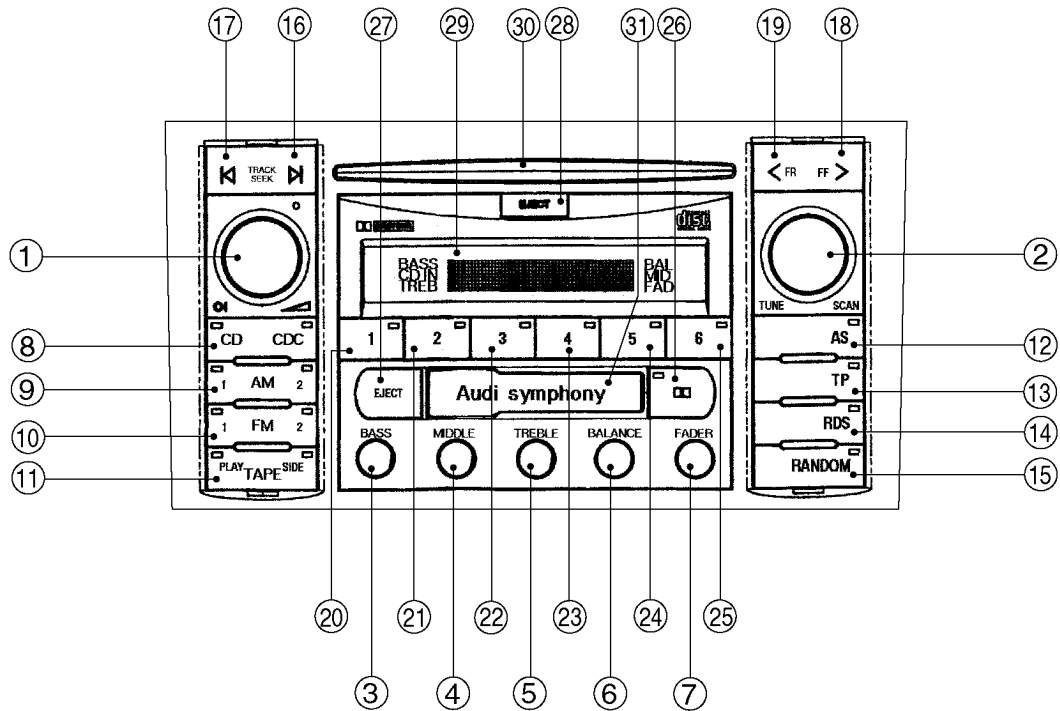
Caution

This product utilizes a laser. Use of controls or adjustments or performance of procedures other than those specified herein may result in hazardous radiation exposure.

3 REAR VIEW AND CONNECTORS



4 FRONT VIEW AND FUNCTIONS



- | | | | | | |
|---|--------------|--|-------|-------------------|---|
| ① | PUSH PWR VOL | : Power on/off.
: Increase / Decrease of volume. | ⑮ | RANDOM | : CD/CDC random play. |
| ② | TUNE SCAN | : Radio manual tuning.
: Scan tuning / Scan play. | ⑯ | TRACK ►
SEEK ► | : CD track up / TPS FF.
: Radio seek up. |
| ③ | BASS | : Bass adjustment mode. | ⑰ | TRACK ◀
SEEK ◀ | : CD track down / TPS REW.
: Radio seek down. |
| ④ | MIDDLE | : Middle adjustment mode. | ⑱ | FF > | : CD fast-forward.
: Tape fast-forward. |
| ⑤ | TREBLE | : Treble adjustment mode. | ⑲ | FR < | : CD fast-backward.
: Tape rewind. |
| ⑥ | BALANCE | : Balance adjustment mode. | ⑳ ~ ㉔ | | : Radio frequency preset/call.
: CD CH disc selection. |
| ⑦ | FADER | : Fader adjustment mode. | ㉔ | IX | : Dolby on/off. |
| ⑧ | CD/CDC | : CD player/CD changer selection. | ㉕ | EJECT | : Tape eject. |
| ⑨ | AM 1/2 | : AM radio selection. | ㉖ | EJECT | : CD eject. |
| ⑩ | FM 1/2 | : FM radio selection. | ㉗ | LCD display. | |
| ⑪ | TAPE | : Tape play starts.
: Tape side changes. | ㉘ | CD slot. | |
| ⑫ | AS | : Radio band auto-store. | ㉙ | Cassette slot. | |
| ⑬ | TP | : Option nenu mode. | | | |
| ⑭ | RDS | : RDS mode selection. | | | |

5 ALIGNMENT INSTRUCTIONS

5.1. Alignment Conditions

- Power Supply Voltage : DC13.2V
- Output Impedance : 4Ω
- Output Power : 0.5W
- Balance, Fader Control : center
- Bass, Treble Control : Center
- Dolby NR: OFF

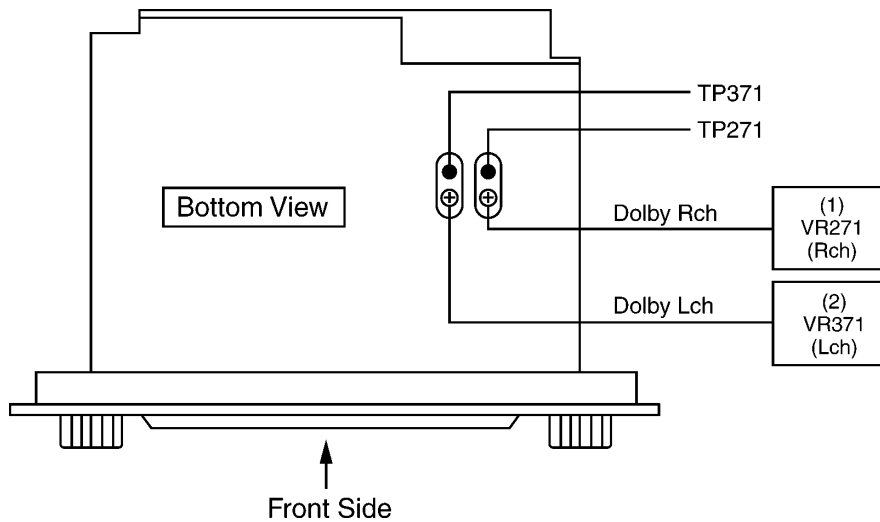
Note :

Do not align the FM/AM package block. When the package block is necessary, it will be supplied already aligned at the factory.

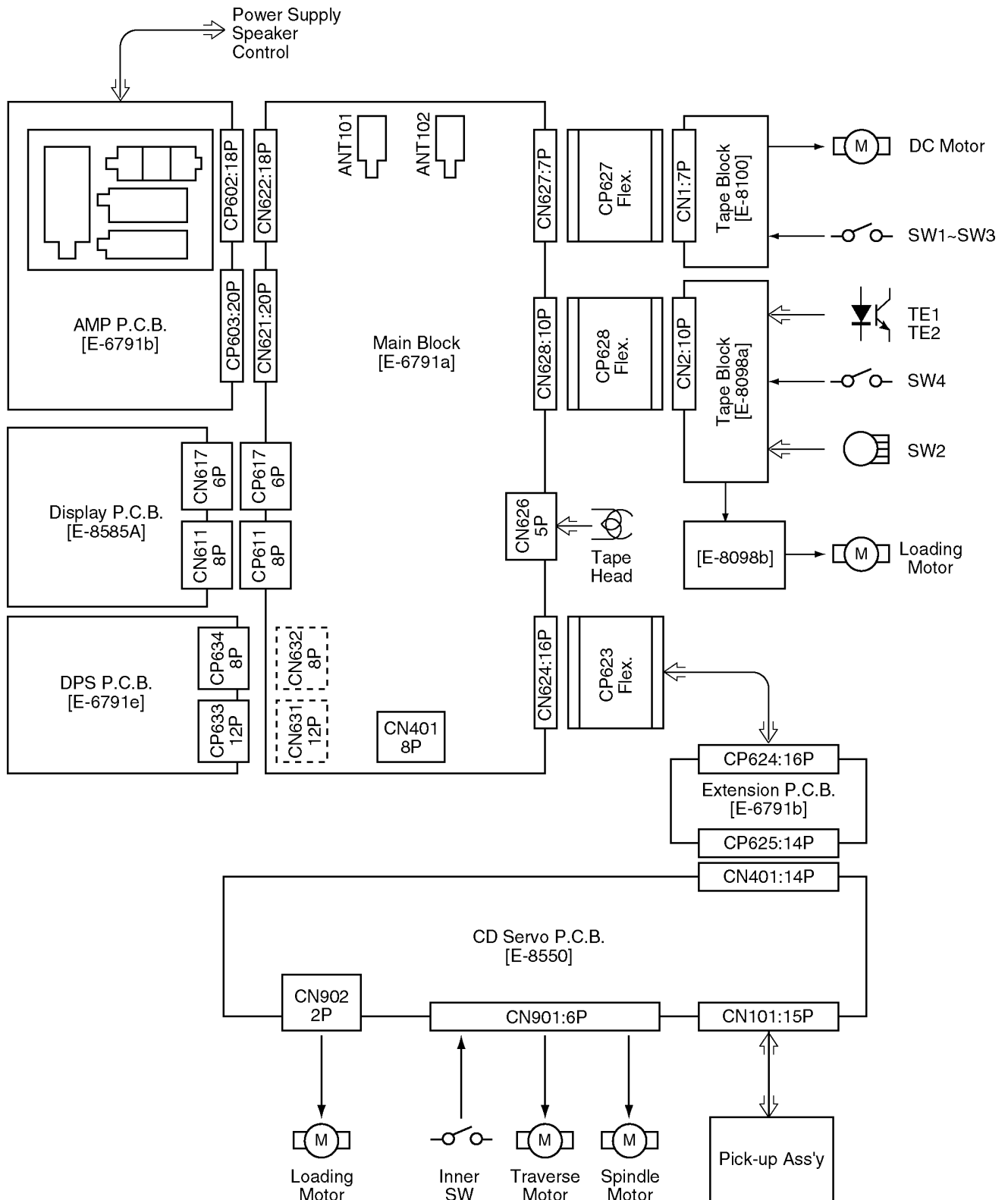
5.2. Dolby NR Alignment

Step	Alignment Item	Test Tape	VTVM Connection	Adjust	Remarks
(1)	DOLBY NR Rch	RFKZ0038	TP271	VR271	Adjust for 388mV ±0.5dB
(2)	DOLBY NR Lch	RFKZ0038	TP371	VR371	Adjust for 388mV ±0.5dB

6 ALIGNMENT POINTS



7 WIRING CONNECTION



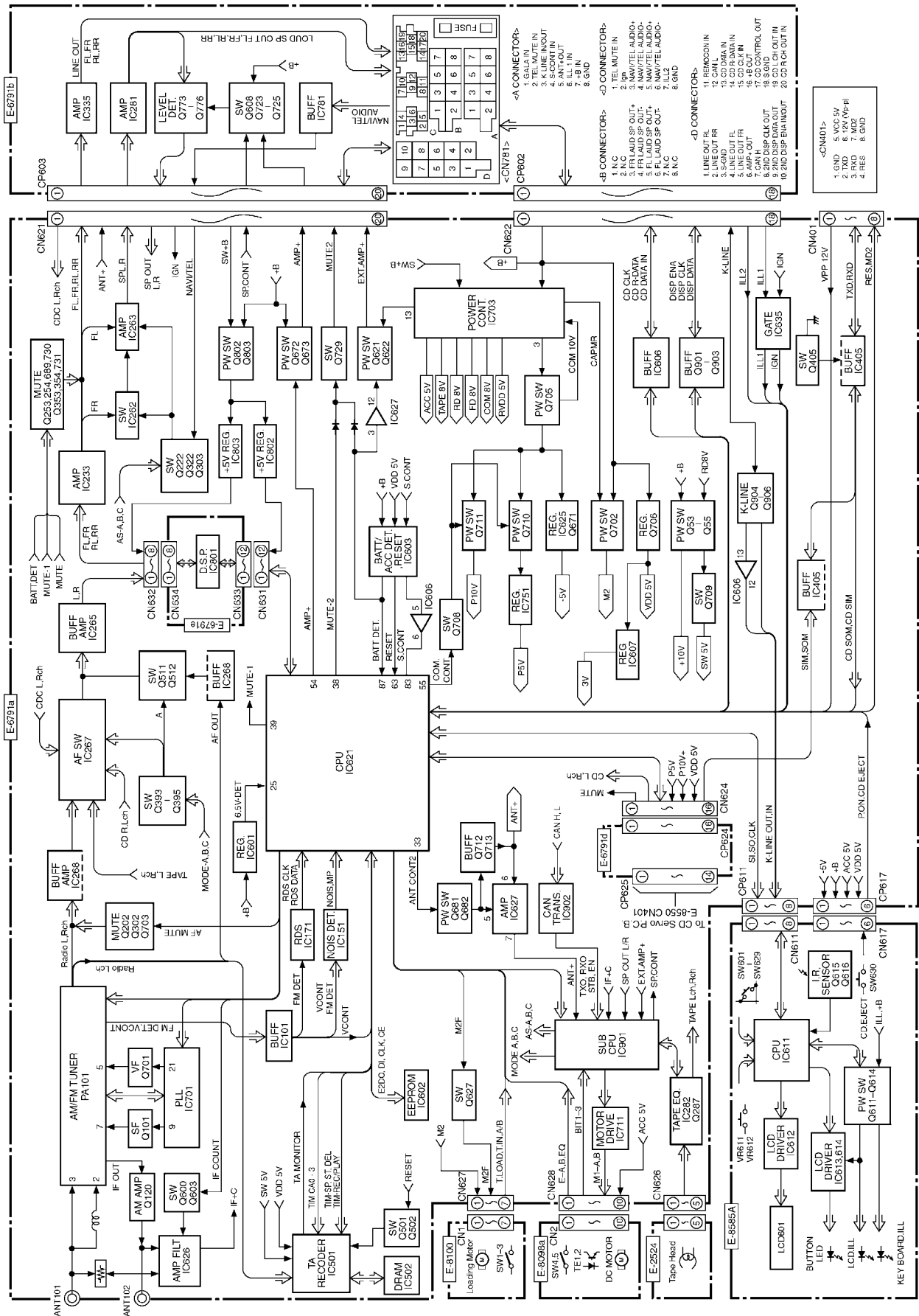
<Note> :

.....This mark shows a Ref. No. of connector

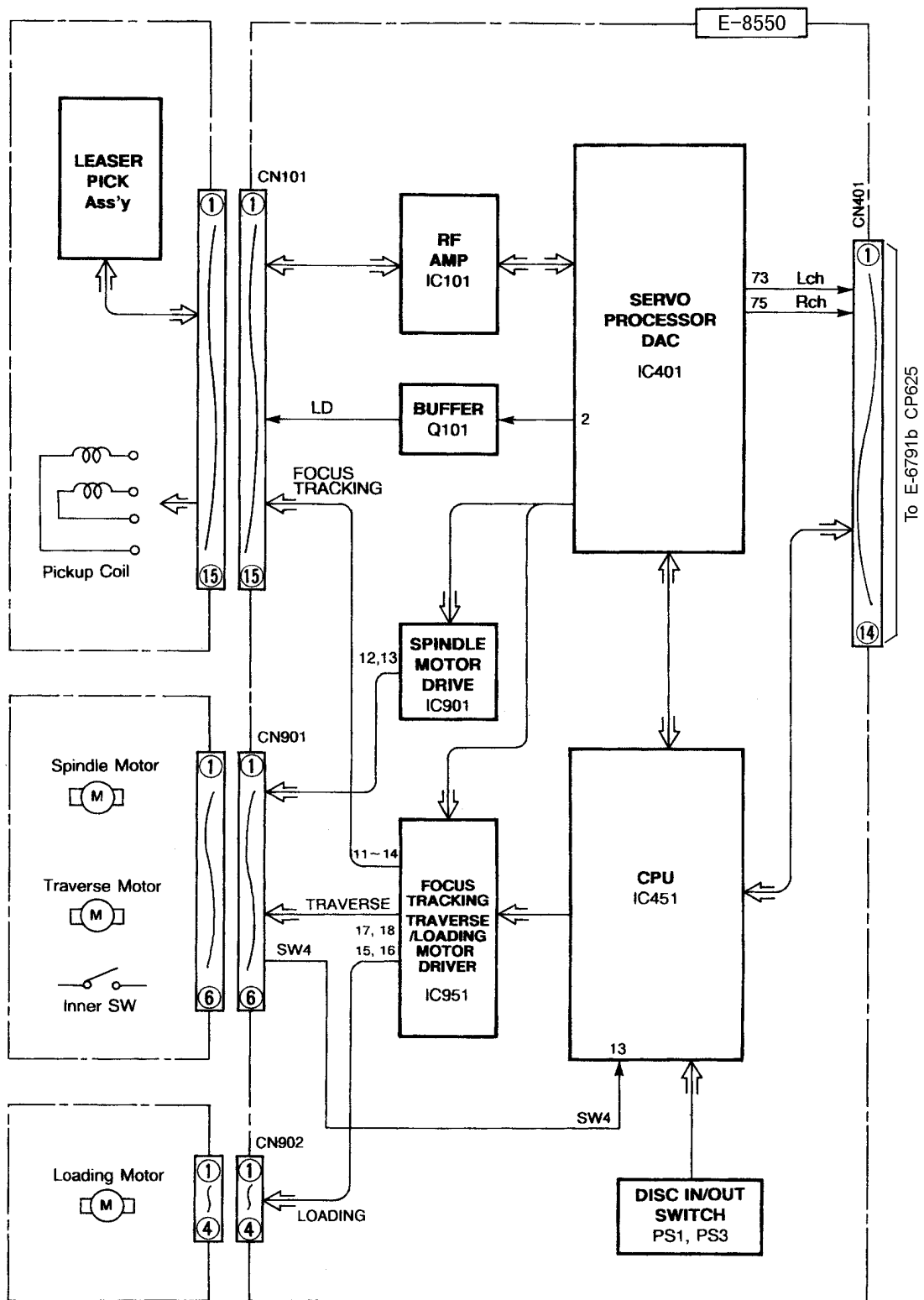
.....This mark shows a mounting position of connector.

8 BLOCK DIAGRAM

8.1. Main Block



8.2. CD Servo Block



9 TERMINALS DESCRIPTION

9.1. Main Block

IC621 : C2CBKJ000009

Pin No.	Port	Description	I/O	(V)
1	MD1	(Connecting to VDD)	-	5.2
2	MD2	MPU mode setting	I	4.4
3	NC	No connector	-	-
4	NC	No connector	-	-
5	CD RESET	CD reset	O	5.1
6	CD ON	CD controller enable	O	5.1
7	TIM-SP	TIM	O	0
8	TIM-ST	TIM strobe	O	0
9	VSS	Ground	-	0
10	TIM-REC/PLAY	TIM recode/play	O	0
11	VCC	+3V power supply	-	3.0
12	PLL CE	PLL chip enable	O	0
13	PLL CLK	PLL clock	O	0
14	PLL DI	PLL data	O	0
15	VSS	Ground	-	0
16	PLL DO	PLL data	I	4.9
17	PVCC1	+5V power supply	-	5.2
18	NC	No connector	-	-
19	DSP-SI	DSP serial data	O	0
20	DSP-CLK	DSP Clock for serial data	O	5.2
21	DSP-RST	DSP reset	O	0
22	DSP-WRQ	DSP data write request	O	0
23	DSP-WRDY	DSP write ready	I	0
24	DSP-CS	DSC chip select	O	5.1
25	6.5V-DET	6.5V detection	I	5.2
26	FLASH-TXD2	Not used	-	-
27	FLASH-RXD2	Not used	-	-
28	AF-MUTE	Audio mute control	O	5.1
29	VSS	Ground	-	0
30	MUTE1	Mute control	O	5.1
31	MUTE2	Mute control	O	5.1
32	F.IN	Tape loading motor control	O	0
33	R.IN	Tape loading motor control	O	0
34	CAN-IRQ	CAN BUS request	I	5.2
35	NC	No connector	-	-
36	NC	No connector	-	-
37	R.CONT	Radio power control	-	5.1
38	ILL1	Illumination signal	I	2.5
39	IF CONT	IF counter	O	5.1
40	CLK	Clock for the second display	O	0
41	DATA	Data for the second display	O	0
42	ENA-IN	Enable for the second display	I	0
43	ENA-OUT	Enable for the second display	O	5.1
44	E2-CLK	Clock for security EEPROM data	O	0
45	E2-DI	Security EEPROM data	O	0
46	E2-DO	Security EEPROM data	I	0
47	E2-CE	Security EEPROM enable	O	0
48	VSS	Ground	-	0
49	AMP+	Ext. Amp. control	O	5.1
50	PVCC1	+5V power supply	-	5.2
51	CLK	Clock for power control IC	O	0
52	DATA	Data for power control IC	O	0
53	LATCH	Data latch	O	5.1
54	STBY	Power control IC standby	O	5.1
55	COM-CNT	+10V power switch	O	5.1
56	MSOUT	Tape MS detection	I	3.9
57	T.LOAD	Tape loading	I	4.7
58	A/B	Tape side detection	I	0
59	T.IN	Tape insert detection	I	4.7

60	PVCC2	+5V power supply	-	5.2
61	+B DET	Battery level detection	I	4.8
62	VSS	Ground	-	0
63	CD REMO	CD CH remocn data	O	5.1
64	CD DATA	CD CH data	I	0
65	CD CLK	CD CH clock	I	0
66	CAN-TDO	CAN BUS data	I	0
67	VSS	Ground	-	0
68	VSS	Ground	-	0
69	CAN-RDI	CAN BUS data	O	4.8
70	S.CONT	Key status signal	I	5.2
71	P-ON SW	Power on SW	I	4.7
72	P-SI	Serial data for panel	O	5.1
73	P-SO	Serial data for panel	I	0
74	P-CLK	Clock for panel	O	5.1
75	NC	No connector	-	-
76	PLL VCC	PLL power supply	I	3.0
77	PLL CAP	Filter for PLL Vcc	-	1.5
78	PLL VSS	Ground	-	0
79	RES	Reset	I	4.7
80	MNI	(Connecting to VCC)	-	5.2
81	STBY	Power control IC standby	O	5.2
82	FWE	(Ground pull-down)	-	0
83	XTAL	Crystal oscillator	-	2.1
84	VCC	+3V power supply	-	3.0
85	XTAL	Crystal oscillator	-	1.7
86	VSS	Ground	-	0
87	OSC1	(Connecting to Vcc)	-	3.0
88	OSC2	Not used	-	-
89	PVCC1	+5V power supply	-	5.2
90	ILL2	Illumination signal	I	0
91	VSS	Ground	-	0
92	PANEL RESET	Reset output	O	5.2
93	CAN RESET	CAN BUS reset	O	4.8
94	GALA	GALA input	I	0
95	CONT	Control signal detection	I	4.7
96	S.REMOCON	Remocn data	I	5.1
97	ANT CNT2	Motor antenna control	O	5.0
98	R CLK	Clock for RDS data	I	2.5
99	NC	No connector	-	-
100	NC	No connector	-	-
101	AVCC	+5V power supply	-	5.2
102	VREF	Reference voltage terminal	-	5.2
103	VCONT	AM/FM level detection	I	0
104	MP	Multi-path detection	I	0
105	NOISE	FM noise level detection	I	1.7
106	DSP-MON	(+5V pull-up)	I	4.4
107	IGN	IGN signal input	I	5.2
108	T.MUTE	Telephone mute	I	4.7
109	N. CONT	Navi control	I	4.7
110	R DATA	RDS data	I	2.5
111	CD-EJECT	CD eject SW	I	4.7
112	E-A	Tape end detection	I	0
113	E-B	Tape end detection	I	0
114	EQ	Metal tape detection	I	0
115	Bit 3	Tape mode SW	I	0
116	Bit 2	Tape mode SW	I	0
117	Bit 1	Tape mode SW	I	0
118	TA.MON	TA monitor	I	0
119	AVSS	Ground	-	0
120	TIM-CA0	TIM phrase setting	O	0
121	TIM-CA1	TIM phrase setting	O	0
122	TIM-CA2	TIM phrase setting	O	0
123	TIM-CA3	TIM phrase setting	O	0
124	TIM-DEL	TIM delete	O	5.1
125	CD SCKM	CD serial clock	I	0

126	CD SOM	CD serial data	I	0
127	CD SIM	CD serial data	O	1.4
128	MD1	(Connecting to VDD)	-	5.2

Note 1 : Voltage measurements are with respect to ground, with a voltmeter (internal resistance : 10M ohms).

IC901 : C2BBGD000016

Pin No.	Port	Description	I/O	(V)
1	MSM	MS gain control	O	0
2,3	-	No connection	-	-
4	VSSI	Ground	-	0
5	RX0	Communication data	I	5.2
6	RX1	(+5V pull-up)	-	5.2
7	VDDI	+5V power supply	-	5.2
8	RDI	CAN-BUS data	I	4.9
9	SCLK	Not used	-	-
10	TDO	CAN-BUS data	O	0
11-13	-	No connection	-	-
14	IF+C	IF count	I	4.8
15	ANT+	Motor antenna control	I	0
16	-	No connection	-	-
17	VRL	(Connecting to ground)	-	0
18	VRH	(Connecting to VDD)	-	5.2
19	AMP+	Ext. Amp power	I	4.9
20	VDD	+5V power supply	-	5.2
21	+BMONI	+B monitor	I	3.0
22	SP-L	SP Lch level detection	I	3.0
23	SP-R	SP Rch level detection	I	3.1
24	P-ANT	Antenna short detection	I	1.8
25	-	No connection	-	-
26	CANE	(Connecting to VDD)	-	5.2
27	VPP	(Connecting to VDD)	-	5.2
28	OSC1	Crystal oscillator	-	1.8
29	OSC2	Crystal oscillator	-	2.7
30	/RESET	Reset input	I	0
31	IRQ	(CAN-BUS data)	I	4.9
32,33	-	No connection	-	-
34-36	-	(Connecting to ground)	-	0
37	MODE C	Audio mode selection	O	4.9
38	MODE B	Audio mode selection	O	0
39	MODE A	Audio mode selection	O	0
40	SP CONT	Speaker control	O	0
41	WAKE OUT	CAN BUS request	O	5.2
42	PA2 (NERR)	Error/Time out signal	I	0
43	PA1 (STB)	Data strobe	O	0
44	PA0 (EN)	Chip enable	O	0
45	TX0	Communication data	O	5.2
46	TX1	Not used	-	0
47	-	No connection	-	-
48	T-RDI	CAN-BUS data	I	4.8
49	T-TDO	Not used	-	-
50	T-SCLK	Not used	-	-
51	AS-C	Speaker out mute	O	5.1
52	AS-B	Speaker out mute	O	5.1
53	AS-A	Speaker out mute	O	5.1
54-57	-	No connection	-	-
58	VSS	Ground	-	0
59	M2F	Tape main motor control	O	0
60	MS	Tape MS mode control	O	4.9
61	F/R	Tape F/R control	O	4.9
62	EQ	Metal tape select	O	4.9
63	NRSW	Dolby mode selection	O	0.3
64	-	No connection	-	-

9.2. DSP Block

IC801 : YEAMAK7712AF

Pin No.	Port	Description	I/O	(V)
1	TSTI	Not used	-	-
2-4	-	(Connecting to ground)	-	0
5	/PD	(Connecting to VDD)	-	5.0
6	/RST	Reset input	I	0
7-9	-	Not used	-	-
10,11	DVB	+5V power supply	-	5.0
12-19	-	Not used	-	-
20	SMODE	(Connecting to VDD)	-	5.0
21-23	-	Not used	-	-
24	DVDD	+5V power supply	-	5.0
25	DVSS	Ground	-	0
26	XTI	Crystal oscillator	-	2.6
27	XTO	Crystal oscillator	-	2.4
28	TSTI2	(Connecting to VDD)	-	5.0
29	/CS	DSP chip select	I	5.2
30	/WRQ	DSP data write request	I	5.2
31	DVSS	Ground	-	0
32	DVDD	+5V power supply	-	5.0
33	SCLK	DSP clock	I	5.2
34	SI	DSP serial data	I	0
35	WRDY	DSP write ready	O	0
36	DRDY	DSP write ready	O	0
37	SO	DSP serial data	O	0
38-48	-	Not used	-	-
49	DVSS	Ground	-	0
50	DVDD	+5V power supply	-	5.0
51-68	-	Not used	-	-
69	DVSS	Ground	-	0
70	DVDD	+5V power supply	-	5.0
71,72	-	Ground	-	0
73	DVDD	+5V power supply	-	5.0
74,75	DVB	+5V power supply	-	5.0
76-78	-	Not used	-	-
79	AVB	+5V power supply	-	5.0
80,81	AOUT R2,L2	Audio-Rear output	O	2.5
82	NC	No connection	-	-
83,84	AOUT R1,L1	Audio-Front output	O	2.5
85,86	-	Ground	-	0
87,88	-	+5V power supply	-	5.0
89	NC	No connection	-	-
90	A IN R-	Audio Rch (-) input	I	2.3
91	A IN R+	Audio Rch (+) input	I	2.5
92	A IN L-	Audio Lch (-) input	I	2.3
93	A IN L+	Audio Lch (+) input	I	2.5
94	VCON	Voltage control	-	2.5
95,96	-	Ground	-	0
97	AVDD	+5V power supply	-	5.0
98,99	-	+5V power supply	-	5.0
100	NC	No connection	-	-

9.3. Display Block

IC611 : C2BBFE000091

Pin No.	Port	Description	I/O	(V)
1-8	-	Not used	-	-
9	GND	Ground	-	0
10,11	-	Not used	-	-
12	TUNE.UP	Tune up switch	I	0
13	TUNE.DOWN	Tune down switch	I	0
14	VOL.UP	Volume up switch	I	5.0
15	VOL.DWN	Volume down switch	I	0

16	TUNE.PUSH	Tune push switch	I	5.0
17	-	No connection	-	-
18-23	D0-5	LCD control data	O	0
24	GND	Ground	-	0
25,26	D6,7	LCD control data	O	0
27	SCAN.LED	SCAN LED on/off	O	10.2
28	P.SCAN.LED	P.SCAN LED on/off	O	10.2
29	RBDS.LED	RBDS LED on/off	O	0
30	RANDOM.LED	RANDOM LED on/off	O	0.4
31	E	LCD driver enable	O	0
32	ILL 1	Illumination control	O	0
33	ILL 2	Illumination control	O	0
34	RESET	LCD reset	O	0
35	RESET	Reset input	I	4.7
36	KI1	Key data	I	0
37	LED.DATA	LED control data	O	0
38	LED.CLK	LED control clock	O	0
39	LED.R.CLK	LED control clock	O	0
40	VDD	+5V power supply	-	5.2
41	X2	Crystal oscillator	-	3.0
42	X1	Crystal oscillator	-	1.7
43	IC	(Connecting to ground)	-	0
44	-	No connection	-	-
45	KI2	Key data	I	0
46	AVSS	Ground	-	0
47	PHOTO.IN	Photo sensor data	I	0
48,49	KO2,1	Key scan	O	0
50-53	KI3-6	Key data	I	0
54	AO	LCD driver select	O	0
55	AVDD	+5V power supply	-	5.2
56	AVREF	+5V power supply	-	5.2
57	PANEL.SI	Serial data for panel	I	5.1
58	PANEL.SO	Serial data for panel	O	0
59	PANEL.CLK	Clock for panel	I	5.0
60,61	KO3,4	Key scan	O	0
62	K-LINE IN	K-line data	I	5.2
63	K-LINE OUT	K-line data	O	5.2
64	KO5	Key scan	O	0

IC612 : YEAMNJU6450G

Pin No.	Port	Description	I/O	(V)
1,2	COM7,8	LCD common signal	O	0.1
3-10	-	No connection	-	-
11-70	SEG59-0	LCD segment data	O	0.1
71	AO	LCD driver select	I	0
72	OSC1	Oscillator terminal	-	1.9
73	OSC2	Oscillator terminal	-	2.0
74	E	LCD driver enable	I	0
75	R/W	(Connecting to ground)	-	0
76	GND	Ground	-	0
77-84	D0-7	LCD control data	I	0
85	P.ON.5V	+5V power supply	-	4.9
86	RESET	Reset input	I	5.2
87	-	No connection	-	-
88	V5	Reference voltage setting	-	-4.7
89	V3	Reference voltage setting	-	-0.8
90	V2	Reference voltage setting	-	1.1
91	M/S	(Connecting to +5V)	-	4.9
92	V4	Reference voltage setting	-	-2.8
93	V1	Reference voltage setting	-	3.0
94-100	COM0-6	LCD common signal	O	0.1

9.4. CD Servo Block**IC401 : YEAMCXD2597Q**

Pin No.	Port	Description	I/O	(V)
1	SQSO	Sub Q-cord data	O	0.5
2	SQCK	Sub Q-cord read clock	I	4.9
3	XRST	System reset	I	4.9
4	SYSM	Mute input	I	4.9
5	DATA	Serial data	I	3.4
6	XLAT	Serial data latch	I	4.9
7	CLOK	Data shift clock	I	4.0
8	SENS	SENS output	O	0.8
9	SCLK	SENS read clock	I	5.1
10	VDD	+5V power supply	-	4.9
11	ATSK	Anti-shock signal	I/O	0
12	SPOA	(Connecting to ground)	-	0
13	SPOB	(Connecting to ground)	-	0
14	XLON	Access mode selection	O	4.4
15	WFCK	Not used	-	-
16	XUGF	XUGF output	O	0
17	XPCK	XPCK output	O	0
18	GFS	GFS output	O	4.1
19, 20	-	Not used	-	-
21	COUT	Track count	I/O	0
22	MIRR	Mirror signal	I/O	0
23	DFCT	Defect signal	I/O	0
24	FOK	Focus OK signal	I/O	4.5
25	LOCK	GFS sampling status	I/O	4.5
26	MDP	Spindle motor control	O	2.5
27	SSTP	(Connecting to ground)	-	0
28	SFDR	Sled drive	O	1.1
29	SRDR	Sled drive	O	0
30	TFDR	Tracking drive	O	0
31	TRDR	Tracking drive	O	0
32	FFDR	Focus drive	O	0
33	FRDR	Focus drive	O	0.4
34	VSS	Ground	-	0
35-37	-	(Connecting to ground)	-	0
38	VC	Middle point voltage input	I	2.3
39	FE	Focus error	I	2.6
40	SE	Sled error	I	2.0
41	TE	Tracking error	I	2.2
42	RFDC	RF signal	I	3.2
43	AVSS0	Ground	-	0
44	IGEN	OP-amp constant-current input	I	2.3
45	AVDD0	+5V power supply	-	4.9
46	ASYO	EFM full-swing output	O	1.6
47	ASYI	asymmetrical comparison voltage	I	2.6
48	BIAS	asymmetrical constant-current	I	2.4
49	RFAC	EFM signal input	I	2.3
50	AVSS3	Ground	-	0
51	CLTV	VCO1 control voltage	I	2.3
52	FILO	PLL filter	O	0
53	FIFI	PLL filter	I	1.8
54	PC0	PLL charge-pump	O	1.8
55	AVDD3	+5V power supply	-	4.9
56	VCTL	VCO2 control voltage	I	2.4
57	VPCD	EFM PLL charge-pump	O	2.5
58	VSS	Ground	-	0
59	VDD	+5V power supply	-	4.9
60-64	-	Not used	-	-
65	XVDD	Power supply for master clock	-	4.9
66	XTAI	Crystal oscillator	-	1.7
67	XTAO	Crystal oscillator	-	3.9
68	XVSS	Ground	-	0

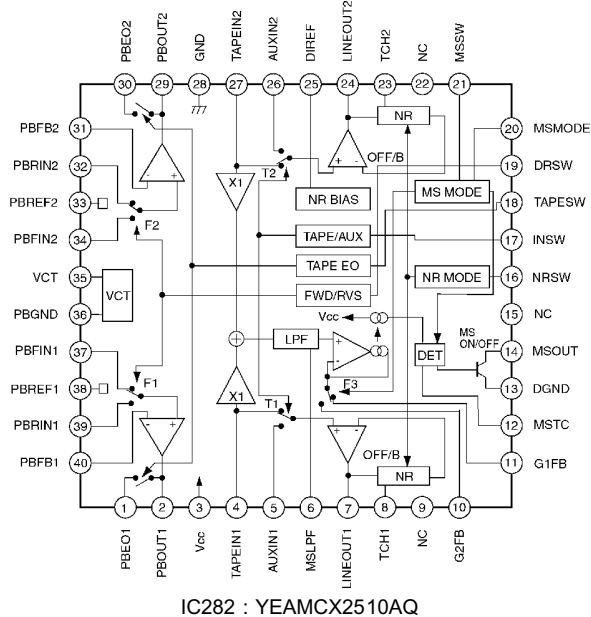
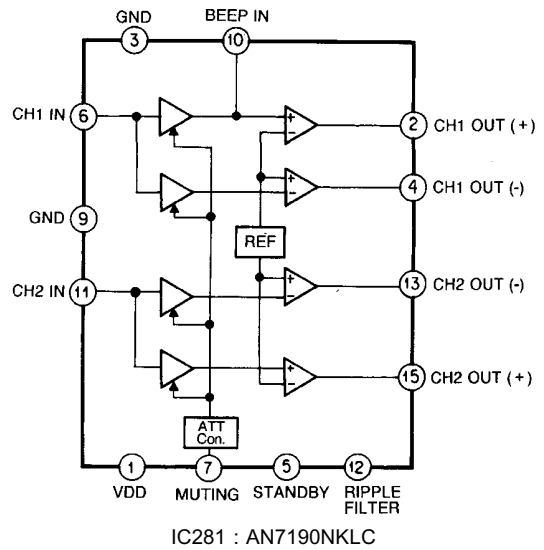
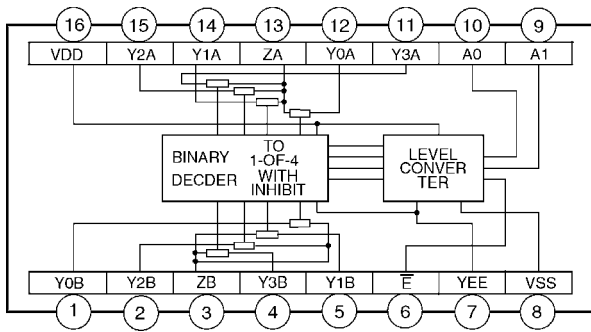
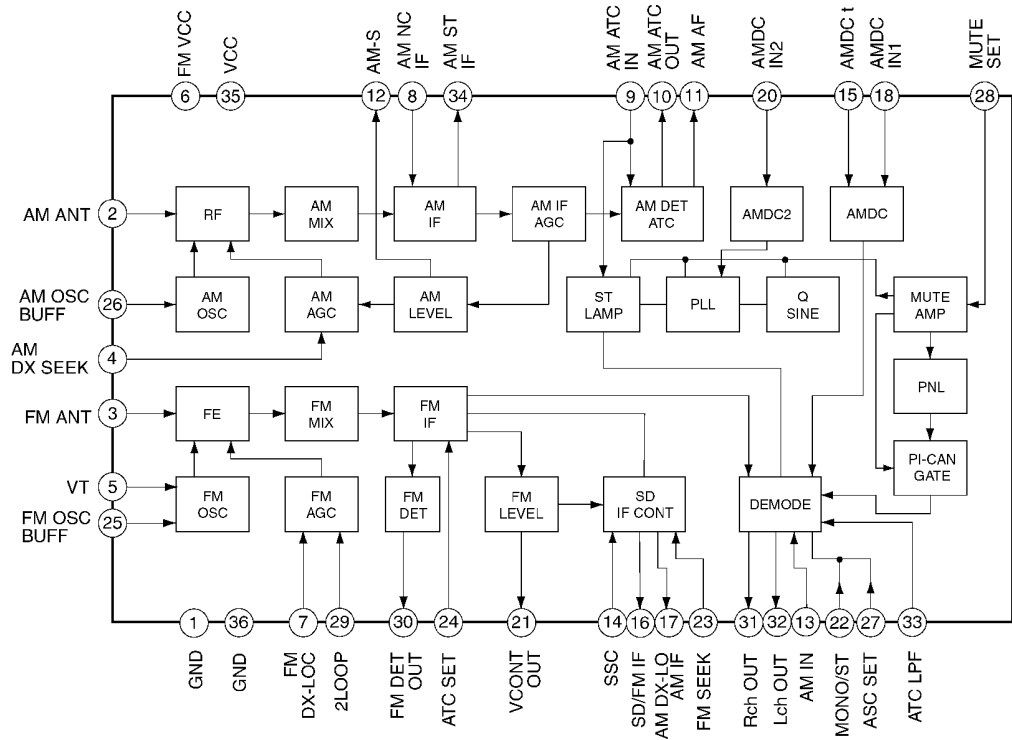
69	AVDD1	+5V power supply	-	4.9
70	AOUT1	Lch audio output	O	2.0
71	AIN1	Lch OP-amp input	I	2.0
72	LOUT1	Lch line-out	O	2.0
73	AVSS1	Ground	-	0
74	AVSS2	Ground	-	0
75	LOUT2	Rch line-out	O	2.0
76	AIN2	Rch OP-amp input	I	2.0
77	AOUT2	Rch audio output	O	2.0
78	AVDD2	+5V power supply	-	4.9
79, 80	-	Not used	-	-

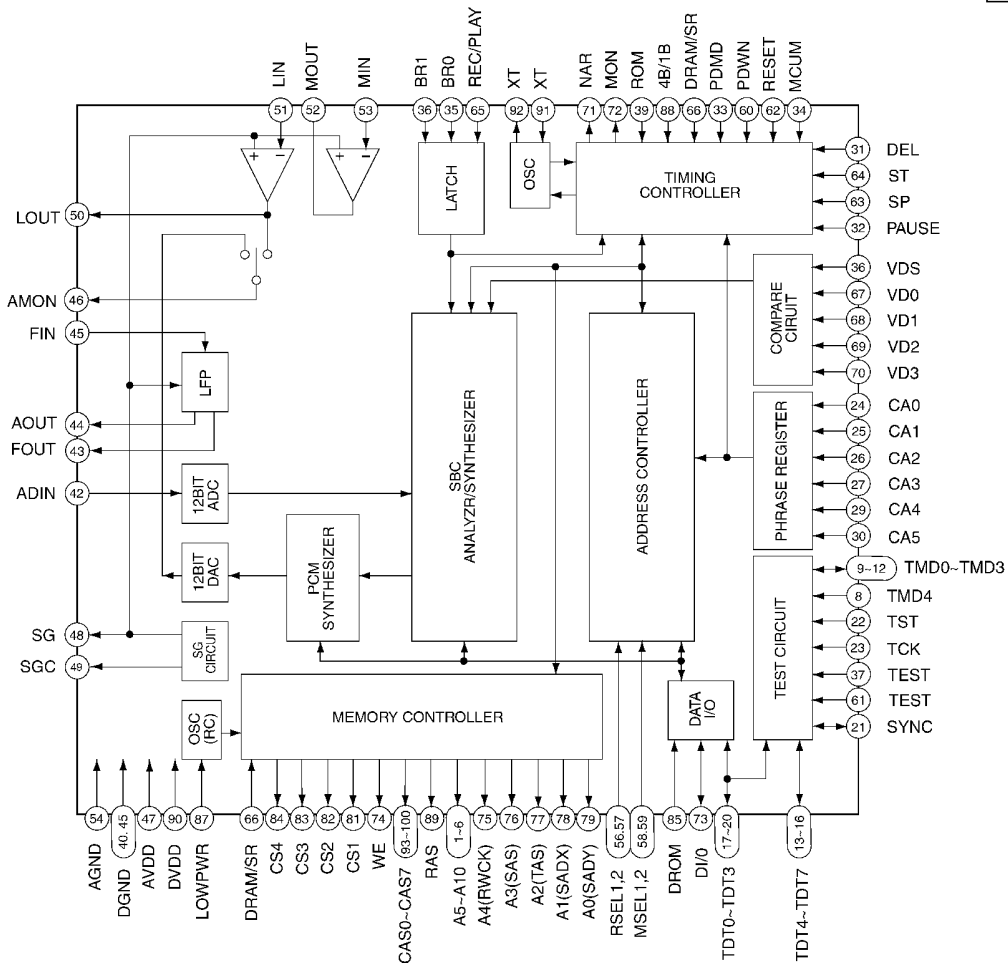
IC451 : C2BBFC000021

Pin No.	Port	Description	I/O	(V)
1	NC	No connection	-	-
2	SQSO	Sub Q-cord data	I	0.5
3	CLKOFF	LSI clock stop	O	5.0
4	SCKM	Data shift clock	O	5.0
5	MUTE	Analog mute	O	0
6	SOM	Serial data	O	0
7	PLLOFF	Not used	-	-
8	SIM	Serial data	I	1.5
9	TNNER	Inner switch	I	4.4
10	OUT	Disc-out detection	I	4.2
11	IN	Disc-in detection	I	4.2
12	CLAMP	Disc clamp detection	I	0
13	PC0	Spindle motor driver on/off	I/O	0
14	PC2	Loading motor driver on/off	I/O	5.1
15	VREF	+5V power supply	-	5.1
16,17	NC	No connection	-	-
18	XIN	Crystal oscillator	-	1.8
19	XOUT	Crystal oscillator	-	2.6
20	NC	No connection	-	-
21	AVSS	Ground	-	0
22	VSS	Ground	-	0
23	VCC	+5V power supply	-	5.1
24	NC	(Connecting to ground)	-	0
25	XCIN	Not used	-	-
26	LOCK	Spindle PLL lock detection	I	4.5
27	NC	No connection	-	-
28	/RST	CPU reset	I	4.8
29	NC	No connection	-	-
30	CDON	CPU operation enable	I	0
31	ATSK	Anti-shock signal	I	0
32	FOK	RF level detection	I	4.5
33	MIRR	Mirror signal detection	I	0
34	ATSK	Anti-shock signal	I	0
35	LOD	Loading motor control	I/O	2.3
36	PC1	Actuator motor drive on/off	I/O	0
37	MODE	Access mode selection	O	0
38	SCLK	SENS read clock	O	5.1
39	SENS	Servo LSI status	I	0.7
40	CLOK	Servo LSI data shift clock	O	4.1
41	XLAT	Serial data latch	O	5.0
42	DATA	Serial data	O	3.5
43	SYSM	LSI mute	O	0
44	NC	No connection	-	-
45	CDON	Not used	-	5.0
46- 49	-	Not used	-	-
50	/RST	Not used	-	4.8
51	VSS	Ground	-	0
52	P53	Not used	-	-
53	XRST	Servo LSI reset	O	5.1
54	SQCK	Sub Q-cord read clock	O	5.1
55,56	-	Not used	-	-

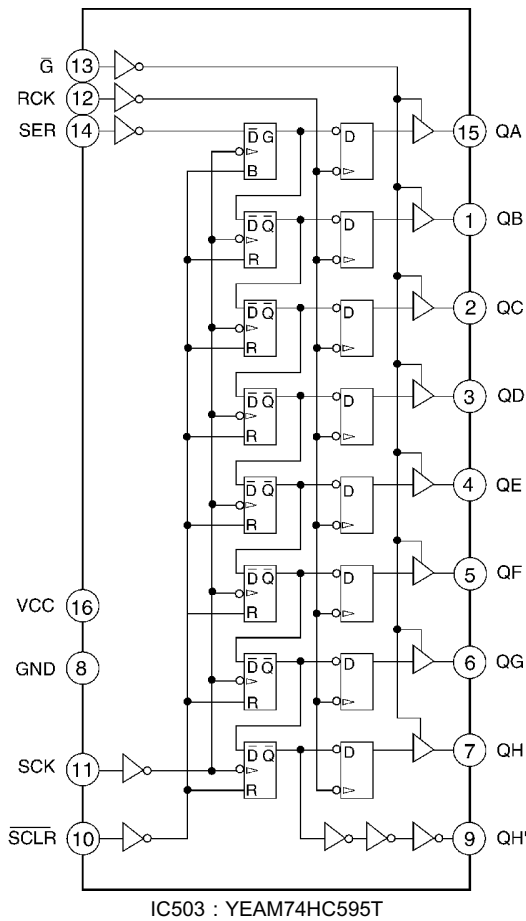
10 PACKAGE AND IC BLOCK DIAGRAM

10.1. Main Block

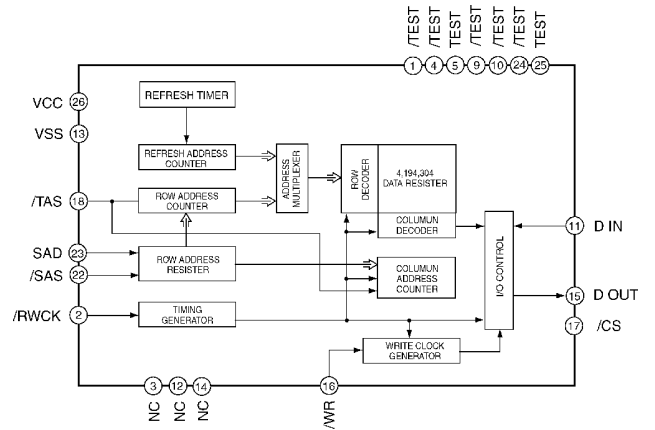




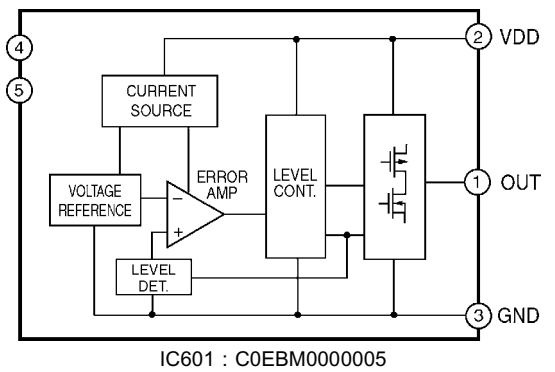
IC501 : YEAMS6789A



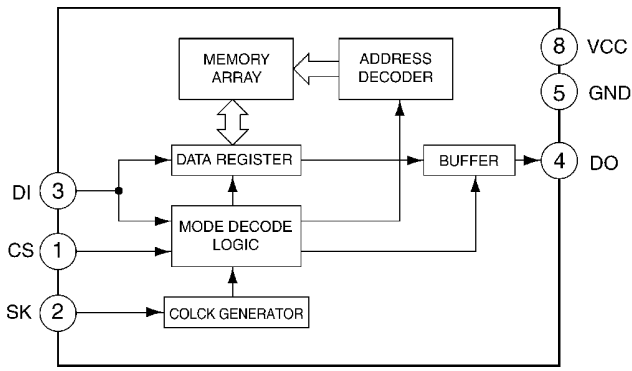
IC503 : YEAM74HC595T



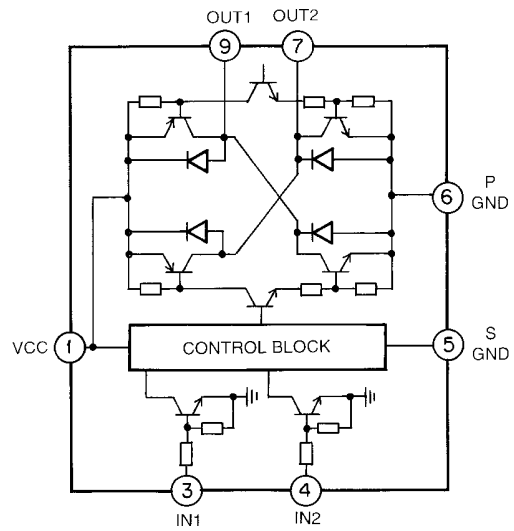
IC502 : YEAMS6684B



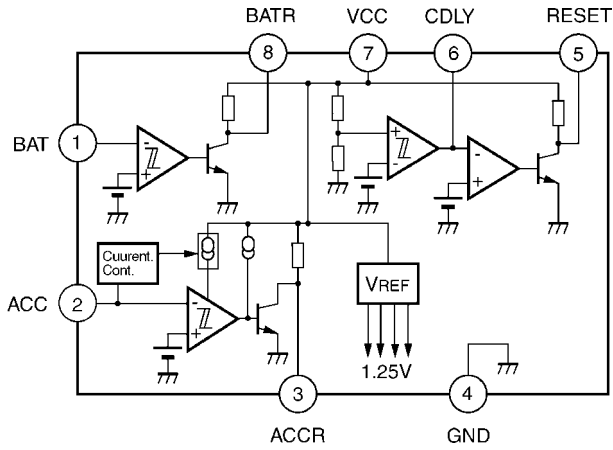
IC601 : C0EBM000005



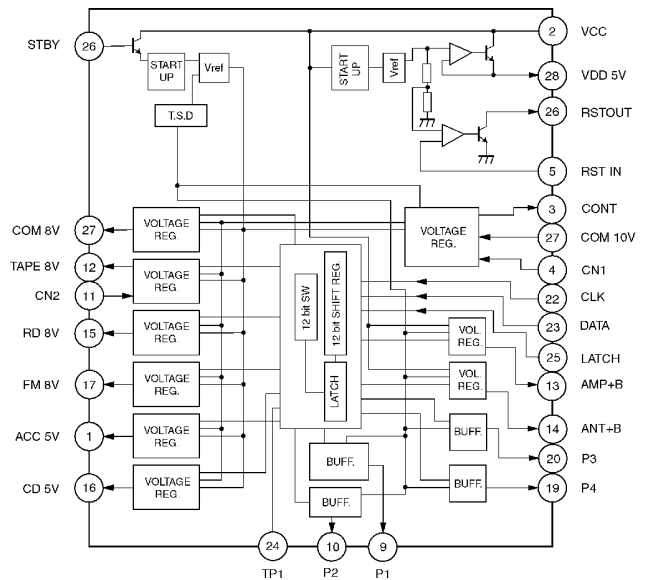
IC602 : YEAMS2922ADF



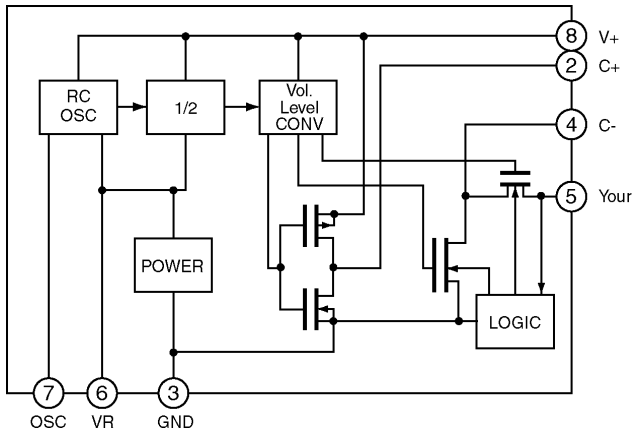
IC711 : YEAML1930MT



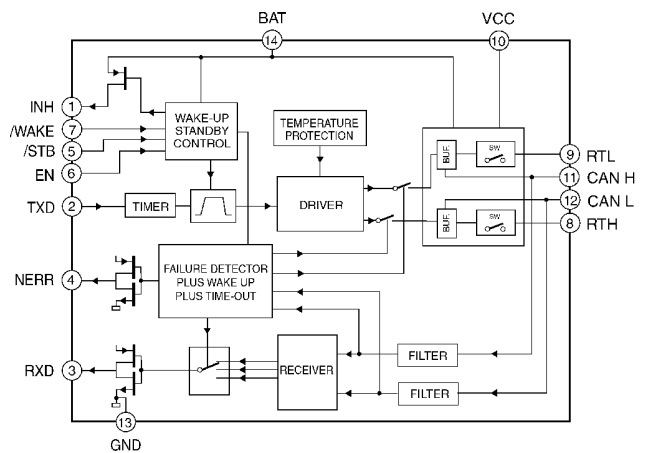
IC603 : AN8065SE1



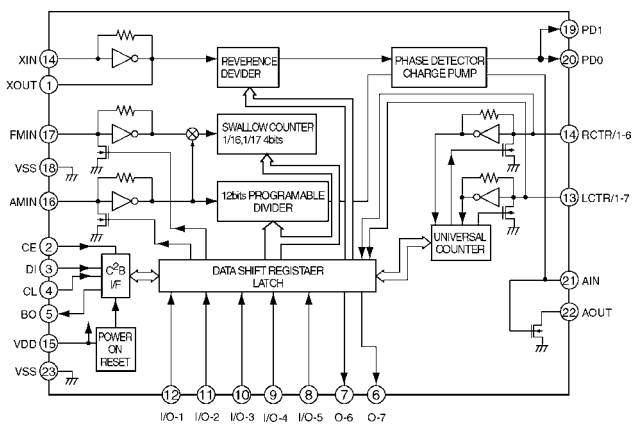
IC703 : C0DBZH20002



IC625 : YEAMNJU7660M

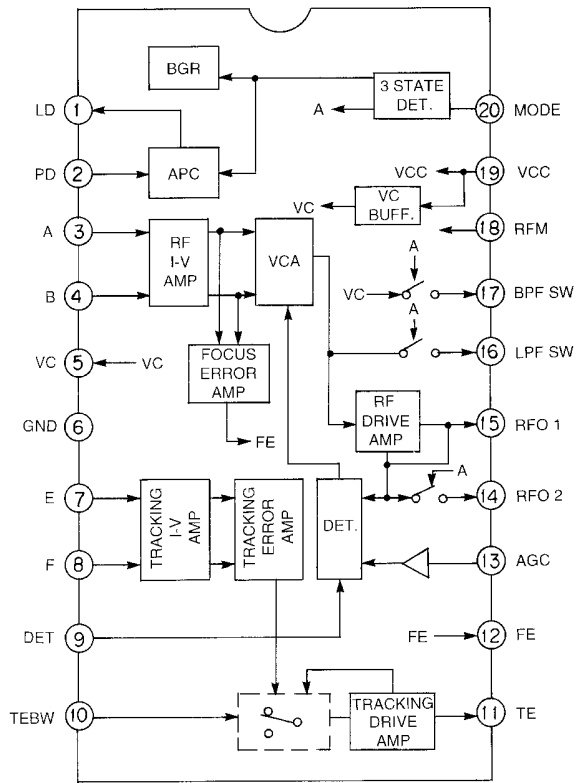


IC902 : C1EB0000036

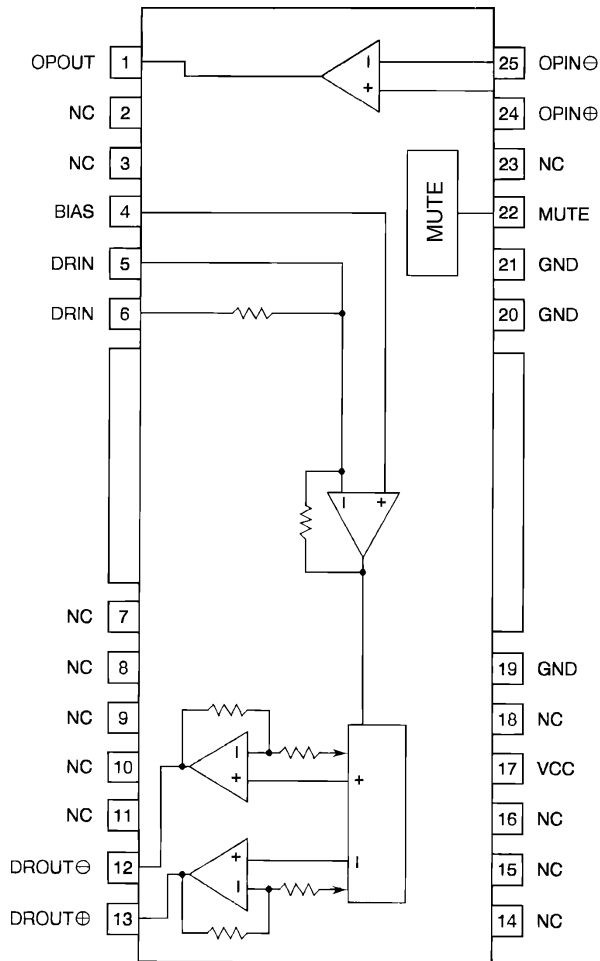


IC701 : YEAMLC72146T

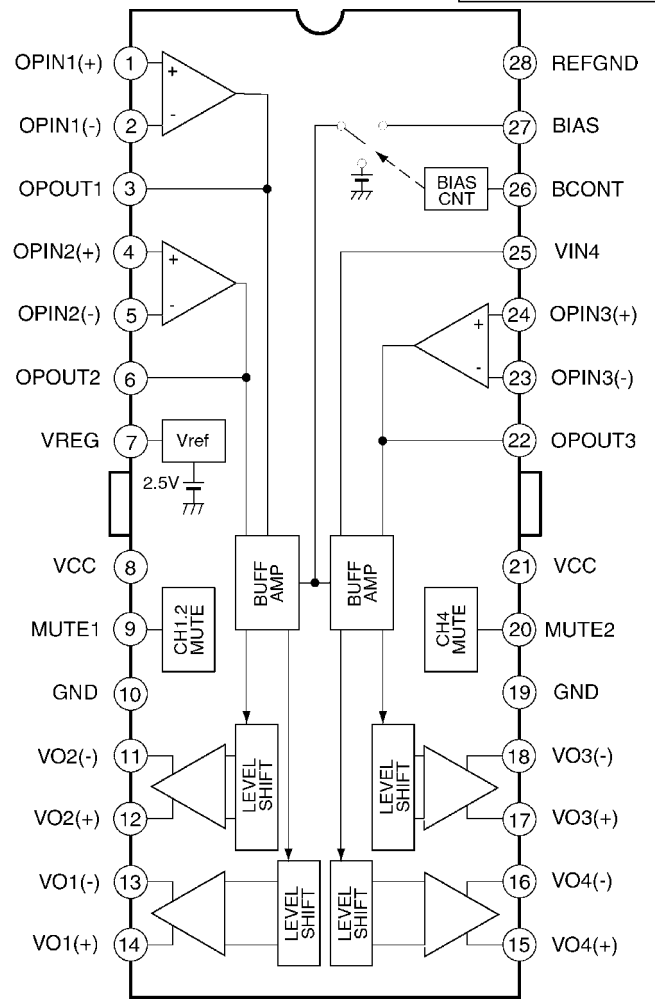
10.2. CD Servo Block



IC101 : YEAMCXA2535



IC901 : YEAMB6195FP



IC951 : YEAMBA5971FP

11 REPLACEMENT PARTS LIST

Notes :

1. Be sure to make your orders of replacement parts according to this list.
2. Important safety notice: Components, identified by Δ mark have special characteristics important for safety. When replacing any of these components, use only manufacturer's specified parts.
3. Location keys in the remarks column indicates the general location of the parts shown in the exploded drawing, as in a road map.
4. The marking (RTL) indicates that Retention Time is limited for this item. After the discontinuation of assembly in production, the item will continue to be available for a specific period of time. The retention period of availability is dependent on the type of assembly, and in accordance with the laws governing part and product retention. After the end of this period, the assembly will no longer be available.
5. "MCC" marks in remarks column are indicated supply parts of Matsushita Communication Industrial Corp. of America (MCC).

11.1. Main/Amp/DSP/Connector Block [E6791]

IC's and TRANSISTORS

Ref. No.	Part No.	Part Name & Description	Remarks
IC101	AN6564NST1	IC	
IC151	C0ABCB000005	IC	
IC171	YEAMBU1923F	IC	
IC233	C0ABCB000005	IC	
IC262	YEAMTC4W53FT	IC	
IC263	C0ABCB000005	IC	
IC265	YEAMPC4570T1	IC	
IC267	C0JBAR000066	IC	
IC268	C0ABCB000005	IC	
IC281	AN7190NKLC	IC	
IC282	YEAMCX2510AQ	IC	
IC335	C0ABCB000005	IC	
IC501	YEAMS6789A	IC	
IC502	YEAMS6684B	IC	
IC601	C0EBM0000005	IC	
IC602	YEAMS2922ADF	IC	
IC603	AN8065SE1	IC	
IC606	YEAMC14584BE	IC	
IC607	C0CBABA00006	IC	
IC621	C2CBKJ000009	IC	
IC625	YEAMNJU7660M	IC	
IC626	C0ABBA000022	IC	
IC627	C0ABBA000022	IC	
IC635	C0JBAB000178	IC	
IC701	YEAMLC72146T	IC	
IC703	C0DBZH000005	IC	
IC711	YEAMLB1930MT	IC	
IC751	AN7805	IC	
IC781	YEAMPC4570T1	IC	
IC801	YEAMAK7712AF	IC	
IC802	AN7805	IC	
IC803	AN7805	IC	
IC901	C2BBGD000067	IC	
IC902	C1EB00000036	IC	
PA101	YEPOPTA533B0	Tuner Pack	
Q53	2SB1073TX	Transistor	
Q54	YEANC114EUKT	Transistor	

Ref. No.	Part No.	Part Name & Description	Remarks
Q55	B1BBAC000007	Transistor	
Q101	B1GBCFNN0005	Transistor	
Q120	B1ABBD000004	Transistor	
Q202	YEANC3661TA	Transistor	
Q222	YEANC323TUTX	Transistor	
Q253	YEANC323TKT	Transistor	
Q254	YEANC323TKT	Transistor	
Q287	YEANC114YUTX	Transistor	
Q302	YEANC3661TA	Transistor	
Q303	YEANC4081STX	Transistor	
Q322	YEANC323TUTX	Transistor	
Q353	YEANC323TKT	Transistor	
Q354	YEANC323TKT	Transistor	
Q393	YEANC144EUTX	Transistor	
Q394	YEANC144EUTX	Transistor	
Q395	YEANC144EUTX	Transistor	
Q501	YEANA114EUKT	Transistor	
Q502	YEANC114YUTX	Transistor	
Q511	YEANA114EUKT	Transistor	
Q512	YEANC144EUTX	Transistor	
Q600	YEANC4081STX	Transistor	
Q603	YEANFP1F3PT1	Transistor	
Q608	B1BBAC000007	Transistor	
Q621	B1ADJC000003	Transistor	
Q622	YEANC144EUTX	Transistor	
Q627	B1GBCFJN0005	Transistor	
Q671	YEANC4081STX	Transistor	
Q672	YEANA144EKT	Transistor	
Q673	YEANC114EUKT	Transistor	
Q681	YEANC114YUTX	Transistor	
Q682	YEANFP1F3PT1	Transistor	
Q689	B1ABCF000042	Transistor	
Q701	YEAN2SK536TB	Transistor	
Q702	2SB1398QTA	Transistor	
Q703	YEANA114YKTX	Transistor	
Q705	YEAN2SA1757	Transistor	
Q706	B1BBAC000007	Transistor	
Q708	B1GBCFJN0005	Transistor	
Q709	YEANFP1F3PT1	Transistor	
Q710	YEANFP1F3PT1	Transistor	
Q711	B1ADNC000001	Transistor	
Q712	B1BBAC000007	Transistor	
Q713	2SD1328STX	Transistor	
Q723	B1ADJC000003	Transistor	
Q724	YEANC114YUTX	Transistor	
Q725	YEANA114YKTX	Transistor	
Q729	YEANA114EUKT	Transistor	
Q730	YEANA114EUKT	Transistor	
Q731	YEANC114EUKT	Transistor	
Q773	YEANC323TKT	Transistor	
Q774	YEANC323TKT	Transistor	
Q775	B1ABCF000044	Transistor	
Q776	B1ABCF000044	Transistor	
Q801	B1ABCF000044	Transistor	
Q802	YEANHR1F3PT1	Transistor	
Q803	YEANC114EUKT	Transistor	
Q901	YEANC4081STX	Transistor	
Q902	YEANC4081STX	Transistor	
Q903	B1ABCF000042	Transistor	
Q904	YEANA144EKT	Transistor	
Q905	YEANA144EKT	Transistor	
Q906	YEANC3661TA	Transistor	

DIODES

Ref. No.	Part No.	Part Name & Description	Remarks
D51	YEARDR10M2T1	Diode	
D52	YEARDR43M2T2	Diode	
D55	MA151WKTX	Diode	
D151	MA153TX	Diode	
D152	MA153TX	Diode	
D156	MA151WKTX	Diode	
D600	YEAD1SS355T1	Diode	
D601	MA142WATX	Diode	

Ref. No.	Part No.	Part Name & Description	Remarks
D602	MA142WATX	Diode	
D603	YEA1SS355T1	Diode	
D605	MA151WATX	Diode	
D606	MA151WATX	Diode	
D607	YEA1SS355T1	Diode	
D609	B0BC5R600014	Diode	
D610	YEA1SS355T1	Diode	
D611	YEADRD51M2T1	Diode	
D612	YEA1SS355T1	Diode	
D613	YEA1SS355T1	Diode	
D614	YEA1SS355T1	Diode	
D615	YEADRD51M2T1	Diode	
D616	YEADRD51M2T1	Diode	
D621	YEA1SS355T1	Diode	
D622	MA2J72900L	Diode	
D623	YEADRD51M2T1	Diode	
D624	MA151WATX	Diode	
D626	YEA1SS355T1	Diode	
D651	MA151WATX	Diode	
D684	MA142WATX	Diode	
D685	YEA1SS355T1	Diode	
D696	YEADRD51M2T1	Diode	
D697	MA151WATX	Diode	
D698	YEADRD56M2T1	Diode	
D699	YEA1SS355T1	Diode	
D700	YEADRB051L40	Diode	
D702	YEA1SS355T1	Diode	
D703	MA142WKTX	Diode	
D704	YEADRD56M3T1	Diode	
D710	YEA1SS355T1	Diode	
D711	YEA1SS355T1	Diode	
D722	YEADRD51M2T1	Diode	
D725	YEA1SS355T1	Diode	
D730	MA741TX	Diode	
D731	MA151WKTX	Diode	
D732	YEA1SS355T1	Diode	
D733	MA142WATX	Diode	
D734	MA142WATX	Diode	
D735	MA741TX	Diode	
D771	YEADEC10DS1	Diode	
D772	YEADEC10DS1	Diode	
D773	MA159TX	Diode	
D780	MA3068MTX	Diode	
D782	YEADDSM3MA2T	Diode	
D801	MA151WKTX	Diode	
D802	YEADRD51M2T1	Diode	
D803	YEADEC10DS1	Diode	
D808	MA721TX	Diode	
D901	YEADRB051L40	Diode	
D908	YEA1SS355T1	Diode	
D992	MA142WATX	Diode	
D993	YEA1SS355T1	Diode	

CAPACITORS

Ref. No.	Part No.	Part Name & Description	Remarks
C48	YECUS1C474KX	Ceramic, 0.47µF 16WV	
C49	ECEA1CKA101	Electrolytic, 100µF 16WV	
C50	YECUS1H101JM	Ceramic, 100PF 50WV	
C53	ECEA1CKA100I	Electrolytic, 10µF 16WV	
C54	ECEA1HKA010I	Electrolytic, 1µF 50WV	
C56	ECEA1CKA100I	Electrolytic, 10µF 16WV	
C102	YECUS1H102KX	Ceramic, 0.001µF 50WV	
C103	YECUS1H103KX	Ceramic, 0.01µF 50WV	
C104	ECA1AM101I	Electrolytic, 100µF 10WV	
C105	YECUS1E223KX	Ceramic, 0.022µF 25WV	
C106	YECUS1H153KX	Ceramic, 0.015µF 50WV	
C107	YECUS1C154KX	Ceramic, 0.15µF 16WV	
C108	YECUS1H103KX	Ceramic, 0.01µF 50WV	
C109	YECUS1H183KX	Ceramic, 0.018µF 50WV	
C110	YECUS1C154KX	Ceramic, 0.15µF 16WV	
C111	YECUS1H103KX	Ceramic, 0.01µF 50WV	
C112	ECEA1CKA100I	Electrolytic, 10µF 16WV	
C113	YECUS1H103KX	Ceramic, 0.01µF 50WV	

Ref. No.	Part No.	Part Name & Description	Remarks
C114	YECUS1H102KX	Ceramic, 0.001µF 50WV	
C115	YECUS1H102KX	Ceramic, 0.001µF 50WV	
C116	YECUS1H101JM	Ceramic, 100PF 50WV	
C117	YECUS1H103KX	Ceramic, 0.01µF 50WV	
C118	YECUS1H101JM	Ceramic, 100PF 50WV	
C119	YECUS1E223KX	Ceramic, 0.022µF 25WV	
C120	YECUS1H103KX	Ceramic, 0.01µF 50WV	
C121	ECA1AM221I	Electrolytic, 220µF 10WV	
C124	YECUS1H101JM	Ceramic, 100PF 50WV	
C125	YECUZ1H271JC	Ceramic, 270PF 50WV	
C126	F1H1E103A011	Ceramic, 0.01µF 25WV	
C127	F1H1E103A011	Ceramic, 0.01µF 25WV	
C129	YECUS1H103KX	Ceramic, 0.01µF 50WV	
C130	YECUS1H820JM	Ceramic, 82PF 50WV	
C131	F1H1E103A011	Ceramic, 0.01µF 25WV	
C152	YECUS1H122KX	Ceramic, 0.0012µF 50WV	
C153	YECUS1H152KX	Ceramic, 0.0015µF 50WV	
C154	YECUS1H103KX	Ceramic, 0.01µF 50WV	
C155	YECUS1H151JM	Ceramic, 150PF 50WV	
C156	YECUS1H151JM	Ceramic, 150PF 50WV	
C157	YECUS1H151JM	Ceramic, 150PF 50WV	
C158	YECUS1H102KX	Ceramic, 0.001µF 50WV	
C159	YECUS1H220JM	Ceramic, 22PF 50WV	
C160	YECUZ1H102KX	Ceramic, 0.001µF 50WV	
C161	YECUZ1E223KX	Ceramic, 0.022µF 25WV	
C163	ECEA1CKA100I	Electrolytic, 10µF 16WV	
C164	YECUS1H151JM	Ceramic, 150PF 50WV	
C169	F1J1C274A006	Ceramic, 0.27µF 16WV	
C170	YECUS1H560JM	Ceramic, 56PF 50WV	
C171	ECEA1HKA2R2I	Electrolytic, 2.2µF 50WV	
C172	YECUS1H271JM	Ceramic, 270PF 50WV	
C173	F1J1H121A034	Ceramic, 120PF 50WV	
C174	YECUS1H220JM	Ceramic, 22PF 50WV	
C175	YECUS1H220JM	Ceramic, 22PF 50WV	
C176	ECEA0JKA470I	Electrolytic, 47µF 6.3WV	
C177	YECUS1C224KX	Ceramic, 0.22µF 16WV	
C178	ECEA0JKA470I	Electrolytic, 47µF 6.3WV	
C179	YECUS1C224KX	Ceramic, 0.22µF 16WV	
C201	ECEA1CKS100I	Electrolytic, 10µF 16WV	
C202	ECEA1CKS100I	Electrolytic, 10µF 16WV	
C203	ECA1HM2R2I	Electrolytic, 2.2µF 50WV	
C204	ECA1CM470I	Electrolytic, 47µF 16WV	
C207	YECUS1C104KX	Ceramic, 0.1µF 16WV	
C208	ECA1CM470I	Electrolytic, 47µF 16WV	
C211	YECUS1H123KX	Ceramic, 0.012µF 50WV	
C212	ECEA1CKS100I	Electrolytic, 10µF 16WV	
C213	YECUS1H470JM	Ceramic, 47PF 50WV	
C214	ECEA1CKN100I	Electrolytic, 10µF 16WV	
C216	YECUS1H153KX	Ceramic, 0.015µF 50WV	
C217	YECUS1H221JM	Ceramic, 220PF 50WV	
C218	YECUS1H101JM	Ceramic, 100PF 50WV	
C222	YECUS1C474KX	Ceramic, 0.47µF 16WV	
C228	ECEA1AKA220I	Electrolytic, 22µF 10WV	
C229	YECUS1H151JM	Ceramic, 150PF 50WV	
C230	ECEA1HKS2R2I	Electrolytic, 2.2µF 50WV	
C231	ECEA1HKS2R2I	Electrolytic, 2.2µF 50WV	
C234	YECUS1H151JM	Ceramic, 150PF 50WV	
C251	ECEA1CKA100I	Electrolytic, 10µF 16WV	
C252	ECA1HM2R2I	Electrolytic, 2.2µF 50WV	
C253	ECA1HM2R2I	Electrolytic, 2.2µF 50WV	
C254	ECA1HM2R2I	Electrolytic, 2.2µF 50WV	
C255	ECEA1CKA470I	Electrolytic, 47µF 16WV	
C256	ECEA1CKA470I	Electrolytic, 47µF 16WV	
C258	YECUS1H101JM	Ceramic, 100PF 50WV	
C259	YECUS1H101JM	Ceramic, 100PF 50WV	
C260	YECUZ1H271JC	Ceramic, 270PF 50WV	
C261	YECUS1H271JM	Ceramic, 270PF 50WV	
C263	YECUS1H272KX	Ceramic, 0.0027µF 50WV	
C264	YECUZ1H272KX	Ceramic, 0.0027µF 50WV	
C271	YECUS1H221JC	Ceramic, 220PF 50WV	
C272	YECUS1H221JC	Ceramic, 220PF 50WV	
C273	YECUS1H103KX	Ceramic, 0.01µF 50WV	
C274	ECEA1HKA2R2I	Electrolytic, 2.2µF 50WV	

Ref. No.	Part No.	Part Name & Description	Remarks
C275	F1K1A1060001	Ceramic, 10µF 10WV	
C277	YECUS1H561KX	Ceramic, 560PF 50WV	
C278	YECUS1C104KX	Ceramic, 0.1µF 16WV	
C280	ECEA1HKA2R2I	Electrolytic, 2.2µF 50WV	
C281	YECUS1H471JM	Ceramic, 470PF 50WV	
C282	ECQV1H224JL2	Plastic Film, 0.22µF 50WV	
C283	ECQV1H224JL2	Plastic Film, 0.22µF 50WV	
C284	ECA1CM330I	Electrolytic, 33µF 16WV	
C286	F1J1C394A006	Ceramic, 0.39µF 16WV	
C287	YECUS1H332KX	Ceramic, 0.0033µF 50WV	
C288	YECUS1C104KX	Ceramic, 0.1µF 16WV	
C289	YECUS1H332KX	Ceramic, 0.0033µF 50WV	
C290	ECEA1AKA220I	Electrolytic, 22µF 10WV	
C292	ECA1HM010I	Electrolytic, 1µF 50WV	
C293	ECA1CM100I	Electrolytic, 10µF 16WV	
C294	ECA1CM100I	Electrolytic, 10µF 16WV	
C296	ECA1HM010I	Electrolytic, 1µF 50WV	
C297	YECUS1H222KX	Ceramic, 0.0022µF 50WV	
C298	YECUS1H222KX	Ceramic, 0.0022µF 50WV	
C301	ECEA1CKA100I	Electrolytic, 10µF 16WV	
C302	ECEA1CKA100I	Electrolytic, 10µF 16WV	
C303	ECA1HM2R2I	Electrolytic, 2.2µF 50WV	
C311	YECUS1H123KX	Ceramic, 0.012µF 50WV	
C312	ECEA1CKA100I	Electrolytic, 10µF 16WV	
C313	YECUS1H470JM	Ceramic, 47PF 50WV	
C314	ECEA1CKN100I	Electrolytic, 10µF 16WV	
C316	YECUS1H153KX	Ceramic, 0.015µF 50WV	
C318	YECUS1H101JM	Ceramic, 100PF 50WV	
C322	YECUS1C474KX	Ceramic, 0.47µF 16WV	
C328	ECEA1AKA220I	Electrolytic, 22µF 10WV	
C329	YECUS1H151JM	Ceramic, 150PF 50WV	
C330	ECEA1HKS2R2I	Electrolytic, 2.2µF 50WV	
C331	ECEA1HKS2R2I	Electrolytic, 2.2µF 50WV	
C332	YECUS1H103KX	Ceramic, 0.01µF 50WV	
C334	YECUS1H151JM	Ceramic, 150PF 50WV	
C351	ECEA1CKA100I	Electrolytic, 10µF 16WV	
C352	ECA1HM2R2I	Electrolytic, 2.2µF 50WV	
C353	ECA1HM2R2I	Electrolytic, 2.2µF 50WV	
C354	ECA1HM2R2I	Electrolytic, 2.2µF 50WV	
C355	ECEA1CKA470I	Electrolytic, 47µF 16WV	
C356	ECEA1CKA470I	Electrolytic, 47µF 16WV	
C358	YECUS1H101JM	Ceramic, 100PF 50WV	
C359	YECUS1H101JM	Ceramic, 100PF 50WV	
C360	YECUS1H271JM	Ceramic, 270PF 50WV	
C361	YECUZ1H271JC	Ceramic, 270PF 50WV	
C363	YECUS1H272KX	Ceramic, 0.0027µF 50WV	
C364	YECUZ1H272KX	Ceramic, 0.0027µF 50WV	
C371	YECUS1H221JC	Ceramic, 220PF 50WV	
C372	YECUS1H221JM	Ceramic, 220PF 50WV	
C373	YECUS1H103KX	Ceramic, 0.01µF 50WV	
C374	ECEA1HKA2R2I	Electrolytic, 2.2µF 50WV	
C377	YECUS1H561KX	Ceramic, 560PF 50WV	
C378	YECUS1C104KX	Ceramic, 0.1µF 16WV	
C380	ECEA1HKA2R2I	Electrolytic, 2.2µF 50WV	
C381	YECUS1H471JM	Ceramic, 470PF 50WV	
C382	ECQV1H224JL2	Plastic Film, 0.22µF 50WV	
C383	ECQV1H224JL2	Plastic Film, 0.22µF 50WV	
C384	YECUS1H102KX	Ceramic, 0.001µF 50WV	
C385	YECUS1H102KX	Ceramic, 0.001µF 50WV	
C386	YECUS1C104KX	Ceramic, 0.1µF 16WV	
C390	ECEA1AKA220I	Electrolytic, 22µF 10WV	
C391	ECEA0JKA470I	Electrolytic, 47µF 6.3WV	
C392	ECA1HM010I	Electrolytic, 1µF 50WV	
C393	ECA1CM100I	Electrolytic, 10µF 16WV	
C394	ECA1CM100I	Electrolytic, 10µF 16WV	
C397	YECUS1H222KX	Ceramic, 0.0022µF 50WV	
C398	YECUS1H222KX	Ceramic, 0.0022µF 50WV	
C502	ECA1AM101I	Electrolytic, 100µF 10WV	
C503	YECUS1C104KX	Ceramic, 0.1µF 16WV	
C504	YECUS1C104KX	Ceramic, 0.1µF 16WV	
C505	YECUS1H471JM	Ceramic, 470PF 50WV	
C506	YECUS1C224KX	Ceramic, 0.22µF 16WV	
C507	ECEA1CKA100I	Electrolytic, 10µF 16WV	

Ref. No.	Part No.	Part Name & Description	Remarks
C508	ECEA1CKA100I	Electrolytic, 10µF 16WV	
C509	YECUS1C104KX	Ceramic, 0.1µF 16WV	
C510	YECUS1H471JM	Ceramic, 470PF 50WV	
C511	YECUS1E223KX	Ceramic, 0.022µF 25WV	
C512	YECUS1H103KX	Ceramic, 0.01µF 50WV	
C521	YECUS1C224KX	Ceramic, 0.22µF 16WV	
C603	YECUS1C104KX	Ceramic, 0.1µF 16WV	
C604	YECUS1C104KX	Ceramic, 0.1µF 16WV	
C605	YECUS1H103KX	Ceramic, 0.01µF 50WV	
C606	ECEA0JKA221I	Electrolytic, 220µF 6.3WV	
C608	YECUS1C104KX	Ceramic, 0.1µF 16WV	
C610	YECUS1H150JM	Ceramic, 15PF 50WV	
C611	YECUS1H100DM	Ceramic, 10PF 50WV	
C612	YECUS1H101JM	Ceramic, 100PF 50WV	
C613	YECUS1H102KX	Ceramic, 0.001µF 50WV	
C614	YECUS1H101JM	Ceramic, 100PF 50WV	
C616	YECUS1H471JM	Ceramic, 470PF 50WV	
C617	YECUS1H101JM	Ceramic, 100PF 50WV	
C619	YECUS1H101JM	Ceramic, 100PF 50WV	
C620	YECUS1H101JM	Ceramic, 100PF 50WV	
C621	YECUS1H101JM	Ceramic, 100PF 50WV	
C622	YECUS1H101JM	Ceramic, 100PF 50WV	
C623	YECUS1H102KX	Ceramic, 0.001µF 50WV	
C625	YECUS1C104KX	Ceramic, 0.1µF 16WV	
C626	YECUS1H102KX	Ceramic, 0.001µF 50WV	
C627	YECUS1H101JM	Ceramic, 100PF 50WV	
C628	YECUS1H101JM	Ceramic, 100PF 50WV	
C629	YECUS1H101JM	Ceramic, 100PF 50WV	
C630	YECUS1H101JM	Ceramic, 100PF 50WV	
C631	YECUS1C104KX	Ceramic, 0.1µF 16WV	
C652	ECA0JM221I	Electrolytic, 220µF 6.3WV	
C656	YECUS1H103KX	Ceramic, 0.01µF 50WV	
C657	ECA1CM221I	Electrolytic, 220µF 16WV	
C660	YECUS1C104KX	Ceramic, 0.1µF 16WV	
C661	ECEA1CKA100I	Electrolytic, 10µF 16WV	
C666	YECUS1E223KX	Ceramic, 0.022µF 25WV	
C669	YECUS1H103KX	Ceramic, 0.01µF 50WV	
C674	YECUS1C104KX	Ceramic, 0.1µF 16WV	
C676	ECEA1CKA100I	Electrolytic, 10µF 16WV	
C678	YECUS1H101JM	Ceramic, 100PF 50WV	
C679	YECUS1H101JM	Ceramic, 100PF 50WV	
C680	YECUS1H101JM	Ceramic, 100PF 50WV	
C684	YECUS1C104KX	Ceramic, 0.1µF 16WV	
C688	ECEA1AKS220I	Electrolytic, 22µF 10WV	
C689	YECUS1H103KX	Ceramic, 0.01µF 50WV	
C690	YECUS1C104KX	Ceramic, 0.1µF 16WV	
C691	YECUS1H101JM	Ceramic, 100PF 50WV	
C692	YECUS1C104KX	Ceramic, 0.1µF 16WV	
C697	YECUS1C104KX	Ceramic, 0.1µF 16WV	
C700	F1H1E103A011	Ceramic, 0.01µF 25WV	
C701	YECUS1H100DM	Ceramic, 10PF 50WV	
C702	YECUS1H100DM	Ceramic, 10PF 50WV	
C704	YECUS1H101JM	Ceramic, 100PF 50WV	
C705	YECUS1H101JM	Ceramic, 100PF 50WV	
C706	YECUS1H101JM	Ceramic, 100PF 50WV	
C707	YECUS1H101JM	Ceramic, 100PF 50WV	
C708	ECEA0JKA470I	Electrolytic, 47µF 6.3WV	
C709	ECA1CM102B	Electrolytic, 1000µF 16WV	
C711	YECUS1H222KX	Ceramic, 0.0022µF 50WV	
C712	YECUS1E393KX	Ceramic, 0.039µF 25WV	
C713	YECUS1H103KX	Ceramic, 0.01µF 50WV	
C715	YECUV1C105KX	Ceramic, 1µF 16WV	
C717	ECEA0JKA470I	Electrolytic, 47µF 6.3WV	
C718	EEAFC0J121H	Electrolytic, 120µF 6.3WV	
C720	ECEA1CKA100I	Electrolytic, 10µF 16WV	
C721	ECEA1CKA100I	Electrolytic, 10µF 16WV	
C722	YECUS1C104KX	Ceramic, 0.1µF 16WV	
C723	YECUS1H101JM	Ceramic, 100PF 50WV	
C724	F1H1H101A231	Ceramic, 100PF 50WV	
C726	ECA1CM102B	Electrolytic, 1000µF 16WV	
C727	YECUS1H221JM	Ceramic, 220PF 50WV	
C729	YECUS1E223KX	Ceramic, 0.022µF 25WV	
C732	ECEA1HKA010I	Electrolytic, 1µF 50WV	

Ref. No.	Part No.	Part Name & Description	Remarks
C734	ECA1AM101I	Electrolytic, 100µF 10WV	
C735	YECUS1H101JM	Ceramic, 100PF 50WV	
C736	YECUS1H101JM	Ceramic, 100PF 50WV	
C737	YECUS1H103KX	Ceramic, 0.01µF 50WV	
C738	ECA1CM100I	Electrolytic, 10µF 16WV	
C739	YECUS1C104KX	Ceramic, 0.1µF 16WV	
C740	YECUS1C104KX	Ceramic, 0.1µF 16WV	
C742	YECUZ1C104KX	Ceramic, 0.1µF 16WV	
C749	YECUS1C474KX	Ceramic, 0.47µF 16WV	
C751	ECEA0JKA221I	Electrolytic, 220µF 6.3WV	
C752	YECUV1C224KX	Ceramic, 0.22µF 16WV	
C756	ECEA1CKA100I	Electrolytic, 10µF 16WV	
C771	ECA1HM2R2I	Electrolytic, 2.2µF 50WV	
C772	ECA1HM2R2I	Electrolytic, 2.2µF 50WV	
C773	FK1C474A014	Ceramic, 0.47µF 16WV	
C774	FK1C474A014	Ceramic, 0.47µF 16WV	
C775	FK1C474A014	Ceramic, 0.47µF 16WV	
C776	FK1C474A014	Ceramic, 0.47µF 16WV	
C781	ECA1CM102B	Electrolytic, 1000µF 16WV	
C782	YECUS1H103KX	Ceramic, 0.01µF 50WV	
C783	YECUS1H103KX	Ceramic, 0.01µF 50WV	
C784	ECA1CM102B	Electrolytic, 1000µF 16WV	
C785	YECUS1E223KX	Ceramic, 0.022µF 25WV	
C787	YECUS1C474KX	Ceramic, 0.47µF 16WV	
C788	YECUS1H101JM	Ceramic, 100PF 50WV	
C789	YECUS1H101JM	Ceramic, 100PF 50WV	
C790	ECA1CM470I	Electrolytic, 47µF 16WV	
C791	YECUS1C224ZF	Ceramic, 0.22µF 16WV	
C792	YECUS1C224ZF	Ceramic, 0.22µF 16WV	
C797	ECEA1AKA101I	Electrolytic, 100µF 10WV	
C798	F4D554730015	Tantalum, 0.047µF 5.5WV	
C799	F4D554730015	Tantalum, 0.047µF 5.5WV	
C801	YECUS1C104KX	Ceramic, 0.1µF 16WV	
C802	YECUS1C104KX	Ceramic, 0.1µF 16WV	
C803	ECEA1CKA100I	Electrolytic, 10µF 16WV	
C804	YECUS1C334KX	Ceramic, 0.33µF 16WV	
C805	YECUS1C334KX	Ceramic, 0.33µF 16WV	
C806	YECUS1C104KX	Ceramic, 0.1µF 16WV	
C807	YECUS1C104KX	Ceramic, 0.1µF 16WV	
C808	YECUS1C104KX	Ceramic, 0.1µF 16WV	
C809	YECUS1C104KX	Ceramic, 0.1µF 16WV	
C810	ECA1CM471B	Electrolytic, 470µF 16WV	
C811	FK1A1060001	Ceramic, 10µF 10WV	
C812	YECUS1C104KX	Ceramic, 0.1µF 16WV	
C813	ECEA1CKS100I	Electrolytic, 10µF 16WV	
C814	YECUS1C104KX	Ceramic, 0.1µF 16WV	
C815	YECUS1C104KX	Ceramic, 0.1µF 16WV	
C816	FK1A1060001	Ceramic, 10µF 10WV	
C817	YECUS1C334KX	Ceramic, 0.33µF 16WV	
C818	ECEA0JKA470I	Electrolytic, 47µF 6.3WV	
C819	YECUS1H180JC	Ceramic, 18PF 50WV	
C820	YECUS1H150JC	Ceramic, 15PF 50WV	
C821	YECUS1C104KX	Ceramic, 0.1µF 16WV	
C823	FK1A1060001	Ceramic, 10µF 10WV	
C826	YECUS1H332KX	Ceramic, 0.0033µF 50WV	
C827	YECUS1H332KX	Ceramic, 0.0033µF 50WV	
C828	ECEA1CKS100I	Electrolytic, 10µF 16WV	
C831	YECUS1H101JM	Ceramic, 100PF 50WV	
C832	YECUS1H101JM	Ceramic, 100PF 50WV	
C833	YECUS1H101JM	Ceramic, 100PF 50WV	
C834	YECUS1H101JM	Ceramic, 100PF 50WV	
C835	YECUS1H101JM	Ceramic, 100PF 50WV	
C901	FL1H8R0A007	Ceramic, 8PF 50WV	
C902	FL1H8R0A007	Ceramic, 8PF 50WV	
C903	YECUS1C104KX	Ceramic, 0.1µF 16WV	
C904	YECUS1C104KX	Ceramic, 0.1µF 16WV	
C906	YECUS1H101JM	Ceramic, 100PF 50WV	
C907	YECUS1C104KX	Ceramic, 0.1µF 16WV	
C908	YECUS1C104KX	Ceramic, 0.1µF 16WV	
C909	YECUS1C104KX	Ceramic, 0.1µF 16WV	
C910	YECUS1H101JM	Ceramic, 100PF 50WV	
C914	YECUS1H101JM	Ceramic, 100PF 50WV	
C915	YECUS1H101JM	Ceramic, 100PF 50WV	

Ref. No.	Part No.	Part Name & Description	Remarks
C916	YECUS1H101JM	Ceramic, 100PF 50WV	
C917	YECUS1H101JM	Ceramic, 100PF 50WV	
C918	YECUS1H101JM	Ceramic, 100PF 50WV	
C934	YECUS1H331JM	Ceramic, 330PF 50WV	
C935	YECUS1H331JM	Ceramic, 330PF 50WV	
C991	YECUS1H103KX	Ceramic, 0.01µF 50WV	
C992	YECUS1H103KX	Ceramic, 0.01µF 50WV	
C993	YECUS1H103KX	Ceramic, 0.01µF 50WV	
C994	YECUS1H103KX	Ceramic, 0.01µF 50WV	
C995	YECUS1H103KX	Ceramic, 0.01µF 50WV	

RESISTORS

Ref. No.	Part No.	Part Name & Description	Remarks
L102	ERJ8GEY0R00V	Chip, 0Ω 1/8W	
L171	ERJ6GEY0R00V	Chip, 0Ω 1/10W	
L602	ERJ6GEY0R00V	Chip, 0Ω 1/10W	
L610	ERJ6GEY0R00V	Chip, 0Ω 1/10W	
L614	ERJ6GEY0R00V	Chip, 0Ω 1/10W	
L625	ERJ6GEY0R00V	Chip, 0Ω 1/10W	
L626	ERJ6GEY0R00V	Chip, 0Ω 1/10W	
L702	ERJ6GEY0R00V	Chip, 0Ω 1/10W	
L821	ERJ6GEY0R00V	Chip, 0Ω 1/10W	
L822	ERJ6GEY0R00V	Chip, 0Ω 1/10W	
L909	ERJ6GEY0R00V	Chip, 0Ω 1/10W	
R53	ERJ6GEYJ2R2	Chip, 2.2Ω 1/10W	
R54	ERJ6GEYJ153	Chip, 15kΩ 1/10W	
R55	ERJ12YJ102H	Chip, 1kΩ 1/2W	
R56	ERJ6GEYJ473	Chip, 47kΩ 1/10W	
R58	ERJ12YJ1R0H	Chip, 1Ω 1/2W	
R100	ERJ6GEY0R00	Chip, 0Ω 1/10W	
R101	ERJ6GEYJ392	Chip, 3.9kΩ 1/10W	
R102	ERJ6GEYJ334	Chip, 330kΩ 1/10W	
R103	ERJ6GEYJ153	Chip, 15kΩ 1/10W	
R104	ERJ6GEYJ183	Chip, 18kΩ 1/10W	
R105	ERJ6GEYJ123	Chip, 12kΩ 1/10W	
R106	ERJ6GEYJ472	Chip, 4.7kΩ 1/10W	
R107	ERJ6GEYJ104	Chip, 100kΩ 1/10W	
R108	ERJ6GEYJ223	Chip, 22kΩ 1/10W	
R109	ERJ6GEYJ223	Chip, 22kΩ 1/10W	
R110	ERJ6GEY0R00	Chip, 0Ω 1/10W	
R111	ERJ6GEYJ563	Chip, 56kΩ 1/10W	
R112	ERJ6GEYJ563	Chip, 56kΩ 1/10W	
R113	ERJ6GEYJ101	Chip, 100Ω 1/10W	
R114	ERJ6GEYJ682	Chip, 6.8kΩ 1/10W	
R115	ERJ6GEYJ473	Chip, 47kΩ 1/10W	
R116	ERJ6GEYJ104	Chip, 100kΩ 1/10W	
R118	ERJ3GEYJ183V	Chip, 18kΩ 1/16W	
R119	ERJ6GEYJ102	Chip, 1kΩ 1/10W	
R120	ERJ3GEYJ561V	Chip, 560kΩ 1/16W	
R122	ERJ3GEYJ223V	Chip, 22kΩ 1/16W	
R123	ERJ3GEYJ681V	Chip, 680Ω 1/16W	
R124	ERJ3GEYJ183V	Chip, 18kΩ 1/16W	
R125	ERJ3GEYJ183V	Chip, 18kΩ 1/16W	
R126	ERG1SJ271E	Metal Oxid, 270Ω 1W	
R127	ERG1SJ271E	Metal Oxid, 270Ω 1W	
R128	ERG1SJ271E	Metal Oxid, 270Ω 1W	
R153	ERJ6GEYJ222	Chip, 2.2kΩ 1/10W	
R154	ERJ6GEYJ561	Chip, 560Ω 1/10W	
R155	ERJ6GEYJ683	Chip, 68kΩ 1/10W	
R156	ERJ6GEYJ332	Chip, 3.3kΩ 1/10W	
R157	ERJ6GEYJ183	Chip, 18kΩ 1/10W	
R158	ERJ6GEYJ102	Chip, 1kΩ 1/10W	
R159	ERJ6GEYJ393	Chip, 39kΩ 1/10W	
R160	ERJ6GEYJ103	Chip, 10kΩ 1/10W	
R161	ERJ6GEYJ103	Chip, 10kΩ 1/10W	
R162	ERJ6GEYJ393	Chip, 39kΩ 1/10W	
R163	ERJ6GEYJ393	Chip, 39kΩ 1/10W	
R164	ERJ6GEYJ103	Chip, 10kΩ 1/10W	
R165	ERJ6GEYJ102	Chip, 1kΩ 1/10W	
R166	ERJ6GEYJ224	Chip, 220kΩ 1/10W	
R167	ERJ3GEYJ103V	Chip, 10kΩ 1/16W	
R168	ERJ6GEYJ103	Chip, 10kΩ 1/10W	
R169	ERJ6GEY0R00	Chip, 0Ω 1/10W	

Ref. No.	Part No.	Part Name & Description	Remarks
R171	ERJ6GEYJ104	Chip, 100k Ω 1/10W	
R201	ERJ6GEYJ562	Chip, 5.6k Ω 1/10W	
R202	ERJ6GEYJ562	Chip, 5.6k Ω 1/10W	
R203	ERJ6GEYJ222	Chip, 2.2k Ω 1/10W	
R205	ERJ6GEYJ472	Chip, 4.7k Ω 1/10W	
R207	ERJ6GEYJ822	Chip, 8.2k Ω 1/10W	
R208	ERJ6GEYJ103	Chip, 10k Ω 1/10W	
R212	ERJ6GEYJ331	Chip, 330 Ω 1/10W	
R213	ERJ6GEYJ223	Chip, 22k Ω 1/10W	
R214	ERJ6GEYJ822	Chip, 8.2k Ω 1/10W	
R216	ERJ6GEYJ101	Chip, 100 Ω 1/10W	
R218	ERJ6GEYJ123	Chip, 12k Ω 1/10W	
R221	ERJ6GEYJ222	Chip, 2.2k Ω 1/10W	
R222	ERJ6GEYJ222	Chip, 2.2k Ω 1/10W	
R223	ERJ6GEYJ104	Chip, 100k Ω 1/10W	
R224	ERJ6GEYJ473	Chip, 47k Ω 1/10W	
R225	ERJ3GEYJ472V	Chip, 4.7k Ω 1/16W	
R227	ERJ6GEYJ122	Chip, 1.2k Ω 1/10W	
R228	ERJ6GEYJ473	Chip, 47k Ω 1/10W	
R229	ERJ6GEYJ123	Chip, 12k Ω 1/10W	
R230	ERJ6GEYJ472	Chip, 4.7k Ω 1/10W	
R231	ERJ6GEYJ472	Chip, 4.7k Ω 1/10W	
R232	ERJ6GEYJ272	Chip, 2.7k Ω 1/10W	
R233	ERJ6GEYJ272	Chip, 2.7k Ω 1/10W	
R234	ERJ6GEYJ123	Chip, 12k Ω 1/10W	
R235	ERJ6GEYJ473	Chip, 47k Ω 1/10W	
R237	ERJ6GEYJ103	Chip, 10k Ω 1/10W	
R241	ERJ6GEYJ822	Chip, 8.2k Ω 1/10W	
R250	ERJ3GEYJ183V	Chip, 18k Ω 1/16W	
R251	ERJ6GEYJ472	Chip, 4.7k Ω 1/10W	
R252	ERJ6GEYJ822	Chip, 8.2k Ω 1/10W	
R253	ERJ6GEYJ822	Chip, 8.2k Ω 1/10W	
R254	ERJ3GEYJ822V	Chip, 8.2k Ω 1/16W	
R255	ERJ6GEYJ4R7	Chip, 4.7 Ω 1/10W	
R256	ERJ6GEYJ4R7	Chip, 4.7 Ω 1/10W	
R257	ERJ6GEYJ471	Chip, 470 Ω 1/10W	
R258	ERJ6GEYJ182	Chip, 1.8k Ω 1/10W	
R259	ERJ6GEYJ471	Chip, 470 Ω 1/10W	
R260	ERJ6GEYJ182	Chip, 1.8k Ω 1/10W	
R261	ERJ6GEYJ181	Chip, 180 Ω 1/10W	
R262	ERJ3GEYJ822V	Chip, 8.2k Ω 1/16W	
R263	ERJ6GEYJ183	Chip, 18k Ω 1/10W	
R264	ERJ6GEYJ0R00	Chip, 0 Ω 1/10W	
R270	ERJ6GEYJ334	Chip, 330k Ω 1/10W	
R271	ERJ6GEYJ683	Chip, 68k Ω 1/10W	
R272	ERJ6GEYJ222	Chip, 2.2k Ω 1/10W	
R273	ERJ6GEYJ222	Chip, 2.2k Ω 1/10W	
R274	ERJ6GEYJ823	Chip, 82k Ω 1/10W	
R275	ERJ6GEYJ823	Chip, 82k Ω 1/10W	
R276	ERJ6GEYJ273	Chip, 27k Ω 1/10W	
R277	ERJ6GEYJ333	Chip, 33k Ω 1/10W	
R278	ERJ6GEYJ333	Chip, 33k Ω 1/10W	
R279	ERJ6GEYJ223	Chip, 22k Ω 1/10W	
R280	ERJ6GEYJ103	Chip, 10k Ω 1/10W	
R281	ERJ6GEYJ222	Chip, 2.2k Ω 1/10W	
R282	ERJ6GEYJ2R2	Chip, 2.2 Ω 1/10W	
R283	ERJ6GEYJ2R2	Chip, 2.2 Ω 1/10W	
R286	ERJ6GEYJ473	Chip, 47k Ω 1/10W	
R287	ERJ6GEYJ333	Chip, 33k Ω 1/10W	
R288	ERJ6GEYJ472	Chip, 4.7k Ω 1/10W	
R289	ERJ6GEYJ683	Chip, 68k Ω 1/10W	
R295	ERJ6GEYJ104	Chip, 100k Ω 1/10W	
R301	ERJ6GEYJ562	Chip, 5.6k Ω 1/10W	
R302	ERJ3GEYJ562V	Chip, 5.6k Ω 1/16W	
R303	ERJ6GEYJ222	Chip, 2.2k Ω 1/10W	
R305	ERJ6GEYJ472	Chip, 4.7k Ω 1/10W	
R312	ERJ6GEYJ331	Chip, 330 Ω 1/10W	
R313	ERJ6GEYJ223	Chip, 22k Ω 1/10W	
R314	ERJ6GEYJ822	Chip, 8.2k Ω 1/10W	
R316	ERJ6GEYJ101	Chip, 100 Ω 1/10W	
R318	ERJ6GEYJ123	Chip, 12k Ω 1/10W	
R321	ERJ6GEYJ222	Chip, 2.2k Ω 1/10W	
R322	ERJ6GEYJ222	Chip, 2.2k Ω 1/10W	

Ref. No.	Part No.	Part Name & Description	Remarks
R323	ERJ6GEYJ104	Chip, 100k Ω 1/10W	
R324	ERJ6GEYJ473	Chip, 47k Ω 1/10W	
R325	ERJ3GEYJ472V	Chip, 4.7k Ω 1/16W	
R327	ERJ6GEYJ122	Chip, 1.2k Ω 1/10W	
R328	ERJ6GEYJ473	Chip, 47k Ω 1/10W	
R329	ERJ6GEYJ123	Chip, 12k Ω 1/10W	
R330	ERJ6GEYJ472	Chip, 4.7k Ω 1/10W	
R331	ERJ6GEYJ472	Chip, 4.7k Ω 1/10W	
R332	ERJ6GEYJ272	Chip, 2.7k Ω 1/10W	
R333	ERJ6GEYJ272	Chip, 2.7k Ω 1/10W	
R334	ERJ6GEYJ123	Chip, 12k Ω 1/10W	
R335	ERJ3GEYJ473V	Chip, 47k Ω 1/16W	
R341	ERJ8GEYJ822V	Chip, 8.2k Ω 1/8W	
R350	ERJ6GEYJ183	Chip, 18k Ω 1/10W	
R351	ERJ6GEYJ472	Chip, 4.7k Ω 1/10W	
R352	ERJ6GEYJ822	Chip, 8.2k Ω 1/10W	
R353	ERJ6GEYJ822	Chip, 8.2k Ω 1/10W	
R354	ERJ6GEYJ822	Chip, 8.2k Ω 1/10W	
R355	ERJ6GEYJ4R7	Chip, 4.7 Ω 1/10W	
R356	ERJ6GEYJ4R7	Chip, 4.7 Ω 1/10W	
R357	ERJ6GEYJ471	Chip, 470 Ω 1/10W	
R358	ERJ6GEYJ182	Chip, 1.8k Ω 1/10W	
R359	ERJ6GEYJ471	Chip, 470 Ω 1/10W	
R360	ERJ6GEYJ182	Chip, 1.8k Ω 1/10W	
R361	ERJ6GEYJ181	Chip, 180 Ω 1/10W	
R362	ERJ6GEYJ822	Chip, 8.2k Ω 1/10W	
R363	ERJ6GEYJ183	Chip, 18k Ω 1/10W	
R370	ERJ6GEYJ334	Chip, 330k Ω 1/10W	
R371	ERJ6GEYJ683	Chip, 68k Ω 1/10W	
R372	ERJ6GEYJ222	Chip, 2.2k Ω 1/10W	
R373	ERJ6GEYJ222	Chip, 2.2k Ω 1/10W	
R374	ERJ6GEYJ823	Chip, 82k Ω 1/10W	
R375	ERJ6GEYJ823	Chip, 82k Ω 1/10W	
R376	ERJ6GEYJ273	Chip, 27k Ω 1/10W	
R377	ERJ6GEYJ103	Chip, 10k Ω 1/10W	
R378	ERJ6GEYJ333	Chip, 33k Ω 1/10W	
R379	ERJ6GEYJ223	Chip, 22k Ω 1/10W	
R380	ERJ6GEYJ103	Chip, 10k Ω 1/10W	
R381	ERJ6GEYJ222	Chip, 2.2k Ω 1/10W	
R382	ERJ6GEYJ2R2	Chip, 2.2 Ω 1/10W	
R383	ERJ6GEYJ2R2	Chip, 2.2 Ω 1/10W	
R386	ERJ6GEYJ273	Chip, 27k Ω 1/10W	
R387	ERJ6GEYJ273	Chip, 27k Ω 1/10W	
R388	ERJ6GEYJ103	Chip, 10k Ω 1/10W	
R389	ERJ6GEYJ683	Chip, 68k Ω 1/10W	
R391	ERJ6GEYJ102	Chip, 1k Ω 1/10W	
R393	ERJ6GEYJ104	Chip, 100k Ω 1/10W	
R394	ERJ6GEYJ104	Chip, 100k Ω 1/10W	
R395	ERJ6GEYJ472	Chip, 4.7k Ω 1/10W	
R401	ERJ6GEYJ474	Chip, 470k Ω 1/10W	
R402	ERJ6GEYJ474	Chip, 470k Ω 1/10W	
R403	ERJ6GEYJ474	Chip, 470k Ω 1/10W	
R500	ERJ6GEYJ223	Chip, 22k Ω 1/10W	
R501	ERJ6GEYJ104	Chip, 100k Ω 1/10W	
R502	ERJ6GEYJ224	Chip, 220k Ω 1/10W	
R503	ERJ6GEYJ274	Chip, 270k Ω 1/10W	
R504	ERJ6GEYJ224	Chip, 220k Ω 1/10W	
R505	ERJ6GEYJ563	Chip, 56k Ω 1/10W	
R506	ERJ6GEYJ104	Chip, 100k Ω 1/10W	
R511	ERJ6GEYJ104	Chip, 100k Ω 1/10W	
R600	ERJ6GEYJ104	Chip, 100k Ω 1/10W	
R601	ERJ6GEYJ104	Chip, 100k Ω 1/10W	
R602	ERJ6GEYJ102	Chip, 1k Ω 1/10W	
R603	ERJ6GEYJ221	Chip, 220 Ω 1/10W	
R604	ERJ6GEYJ102	Chip, 1k Ω 1/10W	
R605	ERJ6GEYJ102	Chip, 1k Ω 1/10W	
R608	ERJ6GEYJ332	Chip, 3.3k Ω 1/10W	
R611	ERJ6GEYJ104	Chip, 100k Ω 1/10W	
R612	ERJ6GEYJ104	Chip, 100k Ω 1/10W	
R613	ERJ6GEYJ104	Chip, 100k Ω 1/10W	
R624	ERJ6GEYJ104	Chip, 100k Ω 1/10W	
R625	ERX1SJ6R8V	Metal Film, 6.8 Ω 1W	
R626	ERJ6GEYJ472	Chip, 4.7k Ω 1/10W	

Ref. No.	Part No.	Part Name & Description	Remarks
R629	ERJ6GEYJ472	Chip, 4.7kΩ 1/10W	
R630	ERJ6GEYJ472	Chip, 4.7kΩ 1/10W	
R631	ERJ3GEYJ104V	Chip, 100kΩ 1/16W	
R632	ERJ6GEYJ104	Chip, 100kΩ 1/10W	
R633	ERJ6GEYJ104	Chip, 100kΩ 1/10W	
R635	ERJ8GEYJ473V	Chip, 47kΩ 1/8W	
R636	ERJ6GEYJ473	Chip, 47kΩ 1/10W	
R637	ERJ6GEYJ561	Chip, 560Ω 1/10W	
R638	ERJ6GEYJ153	Chip, 15kΩ 1/10W	
R639	ERJ6GEYJ473	Chip, 47kΩ 1/10W	
R640	ERJ6GEYJ123	Chip, 12kΩ 1/10W	
R641	ERJ6GEYJ103	Chip, 10kΩ 1/10W	
R642	ERJ6GEYJ472	Chip, 4.7kΩ 1/10W	
R643	ERJ6GEYJ103	Chip, 10kΩ 1/10W	
R644	ERJ6GEYJ331	Chip, 330Ω 1/10W	
R645	ERJ6GEYJ561	Chip, 560Ω 1/10W	
R646	ERJ6GEYJ392	Chip, 3.9kΩ 1/10W	
R647	ERJ6GEYJ474	Chip, 470kΩ 1/10W	
R649	ERJ6GEYJ473	Chip, 47kΩ 1/10W	
R650	ERJ6GEYJ104	Chip, 100kΩ 1/10W	
R651	ERJ6GEYJ561	Chip, 560Ω 1/10W	
R652	ERJ6GEYJ561	Chip, 560Ω 1/10W	
R654	ERJ6GEYJ473	Chip, 47kΩ 1/10W	
R655	ERJ12YJ102H	Chip, 1kΩ 1/2W	
R656	ERJ6GEYJ103	Chip, 10kΩ 1/10W	
R657	ERJ6GEYJ104	Chip, 100kΩ 1/10W	
R659	ERJ6GEYJ473	Chip, 47kΩ 1/10W	
R660	ERJ6GEYJ473	Chip, 47kΩ 1/10W	
R661	ERJ6GEYJ473	Chip, 47kΩ 1/10W	
R663	ERJ6GEYJ102	Chip, 1kΩ 1/10W	
R664	ERJ6GEYJ473	Chip, 47kΩ 1/10W	
R665	ERJ6GEYJ182	Chip, 1.8kΩ 1/10W	
R666	ERJ6GEYJ103	Chip, 10kΩ 1/10W	
R667	ERJ6GEYJ103	Chip, 10kΩ 1/10W	
R668	ERJ6GEYJ103	Chip, 10kΩ 1/10W	
R669	ERJ6GEYJ103	Chip, 10kΩ 1/10W	
R670	ERJ6GEYJ470	Chip, 47Ω 1/10W	
R671	ERJ6GEYJ102	Chip, 1kΩ 1/10W	
R673	ERJ6GEYJ102	Chip, 1kΩ 1/10W	
R674	ERJ6GEYJ102	Chip, 1kΩ 1/10W	
R676	ERJ6GEYJ223	Chip, 22kΩ 1/10W	
R677	ERJ6GEYJ471	Chip, 470Ω 1/10W	
R678	ERJ6GEYJ103	Chip, 10kΩ 1/10W	
R680	ERJ3GEYJ102V	Chip, 10kΩ 1/16W	
R683	ERJ6GEYJ333	Chip, 33kΩ 1/10W	
R684	ERJ6GEYJ224	Chip, 220kΩ 1/10W	
R685	ERJ6GEYJ562	Chip, 5.6kΩ 1/10W	
R686	ERJ6GEYJ273	Chip, 27kΩ 1/10W	
R687	ERJ6GEYJ472	Chip, 4.7kΩ 1/10W	
R688	ERJ6GEYJ473	Chip, 47kΩ 1/10W	
R689	ERJ6GEYJ103	Chip, 10kΩ 1/10W	
R691	ERJ3GEYJ102V	Chip, 1kΩ 1/16W	
R692	ERJ6GEYJ392	Chip, 3.9kΩ 1/10W	
R696	ERJ6GEYJ102	Chip, 1kΩ 1/10W	
R697	ERJ6GEYJ102	Chip, 1kΩ 1/10W	
R701	ERJ6GEYJ222	Chip, 2.2kΩ 1/10W	
R702	ERJ3GEY0R00V	Chip, 0Ω 1/16W	
R703	ERJ6GEYJ561	Chip, 560Ω 1/10W	
R704	ERJ6GEYJ392	Chip, 3.9kΩ 1/10W	
R705	ERJ6GEYJ100	Chip, 10Ω 1/10W	
R706	ERJ6GEYJ561	Chip, 560Ω 1/10W	
R707	ERJ6GEYJ101	Chip, 100Ω 1/10W	
R708	ERJ8GEYJ222V	Chip, 2.2kΩ 1/8W	
R709	ERJ12YJ680H	Chip, 68Ω 1/2W	
R710	ERJ12YJ680H	Chip, 68Ω 1/2W	
R711	ERJ8GEYJ821V	Chip, 820Ω 1/8W	
R712	ERJ6GEYJ102	Chip, 1kΩ 1/10W	
R713	ERJ6GEYJ102	Chip, 1kΩ 1/10W	
R714	ERJ6GEYJ103	Chip, 10kΩ 1/10W	
R715	ERJ12YJ1R0H	Chip, 1Ω 1/2W	
R718	ERJ6GEYJ154	Chip, 150kΩ 1/10W	
R719	ERJ3GEYJ184V	Chip, 180kΩ 1/16W	
R724	ERJ12YJ102H	Chip, 1kΩ 1/2W	

Ref. No.	Part No.	Part Name & Description	Remarks
R727	ERJ6GEYJ332	Chip, 3.3kΩ 1/10W	
R733	ERJ6GEYJ2R2	Chip, 2.2Ω 1/10W	
R734	ERJ8GEYJ102V	Chip, 1kΩ 1/8W	
R735	ERJ8GEYJ6R8V	Chip, 6.8Ω 1/8W	
R736	ERJ6GEYJ151	Chip, 150Ω 1/10W	
R737	ERJ6GEYJ100	Chip, 10Ω 1/10W	
R739	ERJ6GEYJ222	Chip, 2.2kΩ 1/10W	
R740	ERJ6GEYJ472	Chip, 4.7kΩ 1/10W	
R741	ERJ6GEYJ473	Chip, 47kΩ 1/10W	
R743	ERJ6GEYJ392	Chip, 3.9kΩ 1/10W	
R745	ERJ6GEYJ474	Chip, 470kΩ 1/10W	
R752	ERJ6GEY0R00	Chip, 0Ω 1/10W	
R754	ERJ6GEY0R00	Chip, 0Ω 1/10W	
R757	ERJ12YJ561H	Chip, 560Ω 1/2W	
R761	ERGLS330E	Metal Oxid, 33Ω 1W	
R762	ERJ6GEYJ104	Chip, 100kΩ 1/10W	
R763	ERGLS330E	Metal Oxid, 33Ω 1W	
R764	ERJ6GEYJ102	Chip, 1kΩ 1/10W	
R765	ERJ6GEYJ102	Chip, 1kΩ 1/10W	
R766	ERJ6GEYJ103	Chip, 10kΩ 1/10W	
R780	ERJ6GEYJ223	Chip, 22kΩ 1/10W	
R781	ERJ6GEYJ103	Chip, 10kΩ 1/10W	
R782	ERJ6GEYJ223	Chip, 22kΩ 1/10W	
R784	ERJ6GEYJ103	Chip, 10kΩ 1/10W	
R785	ERJ6GEYJ153	Chip, 15kΩ 1/10W	
R787	ERJ6GEYJ103	Chip, 10kΩ 1/10W	
R788	ERJ6GEYJ471	Chip, 470Ω 1/10W	
R789	ERJ6GEYJ471	Chip, 470Ω 1/10W	
R791	ERJ6GEYJ103	Chip, 10kΩ 1/10W	
R792	ERJ6GEYJ103	Chip, 10kΩ 1/10W	
R795	ERJ6GEYJ561	Chip, 560Ω 1/10W	
R797	ERJ6GEYJ183	Chip, 18kΩ 1/10W	
R798	ERJ6GEYJ103	Chip, 10kΩ 1/10W	
R800	ERJ6GEYJ561	Chip, 560Ω 1/10W	
R801	ERJ6GEYJ472	Chip, 4.7kΩ 1/10W	
R802	ERJ6GEYJ102	Chip, 1kΩ 1/10W	
R803	ERGLS270E	Metal Oxid, 27Ω 1W	
R804	ERGLS270E	Metal Oxid, 27Ω 1W	
R805	ERJ6GEYJ103	Chip, 10kΩ 1/10W	
R806	ERJ6GEYJ103	Chip, 10kΩ 1/10W	
R807	ERJ6GEYJ822	Chip, 8.2kΩ 1/10W	
R808	ERJ6GEYJ822	Chip, 8.2kΩ 1/10W	
R809	ERJ6GEYJ2R2	Chip, 2.2Ω 1/10W	
R810	ERJ6GEYJ822	Chip, 8.2kΩ 1/10W	
R811	ERJ6GEYJ822	Chip, 8.2kΩ 1/10W	
R813	ERJ6GEYJ331	Chip, 330Ω 1/10W	
R814	ERJ6GEYJ472	Chip, 4.7kΩ 1/10W	
R815	ERJ6GEYJ272	Chip, 2.7kΩ 1/10W	
R816	ERJ6GEYJ392	Chip, 3.9kΩ 1/10W	
R817	ERJ6GEYJ392	Chip, 3.9kΩ 1/10W	
R818	ERJ6GEYJ103	Chip, 10kΩ 1/10W	
R819	ERJ6GEYJ102	Chip, 1kΩ 1/10W	
R820	ERJ6GEYJ103	Chip, 10kΩ 1/10W	
R821	ERJ6GEYJ103	Chip, 10kΩ 1/10W	
R823	ERJ6GEYJ472	Chip, 4.7kΩ 1/10W	
R824	ERJ6GEYJ104	Chip, 100kΩ 1/10W	
R825	ERJ6GEYJ104	Chip, 100kΩ 1/10W	
R901	ERJ6GEYJ104	Chip, 100kΩ 1/10W	
R907	ERJ6GEYJ102	Chip, 1kΩ 1/10W	
R908	ERJ6GEYJ473	Chip, 47kΩ 1/10W	
R909	ERJ6GEYJ473	Chip, 47kΩ 1/10W	
R910	ERJ6GEYJ473	Chip, 47kΩ 1/10W	
R911	ERJ6GEYJ473	Chip, 47kΩ 1/10W	
R912	ERJ6GEYJ473	Chip, 47kΩ 1/10W	
R913	ERJ6GEYJ104	Chip, 100kΩ 1/10W	
R915	ERJ6GEYJ103	Chip, 10kΩ 1/10W	
R916	ERJ6GEYJ104	Chip, 100kΩ 1/10W	
R918	ERJ6GEYJ104	Chip, 100kΩ 1/10W	
R919	ERJ6GEY0R00	Chip, 0Ω 1/10W	
R920	ERJ6GEYJ122	Chip, 1.2kΩ 1/10W	
R921	ERJ6GEYJ122	Chip, 1.2kΩ 1/10W	
R922	ERJ6GEYJ473	Chip, 47kΩ 1/10W	
R923	ERJ6GEYJ223	Chip, 22kΩ 1/10W	

Ref. No.	Part No.	Part Name & Description	Remarks
R924	ERJ6GEYJ223	Chip, 22k Ω 1/10W	
R925	ERJ6GEYJ102	Chip, 1k Ω 1/10W	
R926	ERJ6GEYJ102	Chip, 1k Ω 1/10W	
R927	ERJ6GEYJ332	Chip, 3.3k Ω 1/10W	
R931	ERJ6GEYJ104	Chip, 100k Ω 1/10W	
R933	ERJ6GEYJ100	Chip, 10 Ω 1/10W	
R934	ERJ6GEYJ562	Chip, 5.6k Ω 1/10W	
R935	ERJ6GEYJ562	Chip, 5.6k Ω 1/10W	
R936	ERJ6GEYJ104	Chip, 100k Ω 1/10W	
R950	ERJ6GEY0R00	Chip, 0 Ω 1/10W	
R951	ERJ6GEYJ473	Chip, 47k Ω 1/10W	
R952	ERJ6GEY0R00	Chip, 0 Ω 1/10W	
R953	ERJ8GEY0R00V	Chip, 0 Ω 1/8W	
R955	ERJ6GEY0R00	Chip, 0 Ω 1/10W	
R957	ERJ6GEY0R00	Chip, 0 Ω 1/10W	
R961	ERJ6GEY0R00	Chip, 0 Ω 1/10W	
R965	ERJ6GEY0R00	Chip, 0 Ω 1/10W	
R991	ERJ6GEYJ104	Chip, 100k Ω 1/10W	

CONNECTORS

Ref. No.	Part No.	Part Name & Description	Remarks
CN401	K1FB108B0004	Connector, 8P	
CN621	YEAETKCF20PS	Connector, 20P	
CN622	YEAETKCF18PS	Connector, 18P	
CN624	YEA9604S16S	Connector, 16P	
CN626	YEA5280605	Connector, 5P	
CN627	YEA5280607	Connector, 7P	
CN628	YEA5280610	Connector, 10P	
CN631	YEAETK12S2S	Connector, 12P	
CN632	YEAETK08S2S	Connector, 8P	
CN781	YEA012805	Connector, 46P	
CP602	YEAETKCF18XS	Connector, 18P	
CP603	YEAETKCF20XS	Connector, 20P	
CP611	YEAETKCF08PS	Connector, 8P	
CP617	YEAETKCF06PS	Connector, 6P	
CP623	YEAES16A075A	Flat Cable, 16P	
CP624	YEA9604L16S	Connector, 16P	
CP625	YEA0114TKCG	Connector, 14P	
CP627	YEAES07B040A	Flat Cable, 7P	
CP628	YEAES10B060A	Flat Cable, 10P	
CP633	K1KA12A00117	Connector, 12P	
CP634	YEAETK08P2S	Connector, 8P	

COILS

Ref. No.	Part No.	Part Name & Description	Remarks
L50	YELT45N4R7KT	Coil	
L51	GOB102K00003	Coil	
L101	YELT03N1R8JT	Coil	
L120	ELER102KA	Coil	
L121	YELT03N4R7KT	Coil	
L122	YELT03NR15JT	Coil	
L123	J0JCC0000012	Coil	
L172	J0JCC0000012	Coil	
L501	J0JCC0000012	Coil	
L601	J0JCC0000012	Coil	
L603	J0JCC0000012	Coil	
L604	J0JCC0000012	Coil	
L605	J0JCC0000012	Coil	
L606	J0JCC0000012	Coil	
L607	J0JCC0000012	Coil	
L611	J0JCC0000012	Coil	
L615	J0JCC0000012	Coil	
L621	YELT03N330JT	Coil	
L781	YETQ014T162	Coil	
L801	J0JCC0000012	Coil	
L802	J0JCC0000012	Coil	
L803	J0JCC0000012	Coil	
L804	J0JCC0000012	Coil	
L805	J0JCC0000012	Coil	
L806	J0JCC0000012	Coil	
L807	J0JCC0000012	Coil	
L808	YELT45N100KT	Coil	

Ref. No.	Part No.	Part Name & Description	Remarks
L811	J0JCC0000012	Coil	
L812	J0JCC0000012	Coil	
L813	J0JCC0000012	Coil	
L814	J0JCC0000012	Coil	
L815	J0JCC0000012	Coil	
L816	J0JCC0000012	Coil	
L817	J0JCC0000012	Coil	
L818	J0JCC0000012	Coil	
L819	J0JCC0000012	Coil	
L820	J0JCC0000012	Coil	
L901	J0JCC0000012	Coil	
L908	YELT03N330JT	Coil	
L933	J0JCC0000012	Coil	
L934	J0JCC0000012	Coil	
L935	J0JCC0000012	Coil	

CRYSTALS

Ref. No.	Part No.	Part Name & Description	Remarks
XL101	YEXL49U0433T	Crystal	
XL501	YEXLCST737MT	Crystal	
XL601	YEXL49U1601T	Crystal	
XL701	YEXL49U072TA	Crystal	
XL801	YEXL49U1843T	Crystal	
XL901	H0J800400003	Crystal	

LAMPs

Ref. No.	Part No.	Part Name & Description	Remarks
Z101	J0LE00000004	ZNR	

VARIABLE RESISTORS

Ref. No.	Part No.	Part Name & Description	Remarks
VR271	EVMEASA00B54	Variablr resistor	
VR371	EVMEASA00B54	Variablr resistor	

THERMISTOR

Ref. No.	Part No.	Part Name & Description	Remarks
R129	YERT5BA1R8MT	Thermistor	
R653	D4CC11020001	Thermistor	

FILTER

Ref. No.	Part No.	Part Name & Description	Remarks
CS781	YECCL55S222T	Filter	

NETWORK RESISTORS

Ref. No.	Part No.	Part Name & Description	Remarks
RA601	EXBV8V102JV	Network Resistor	
RA604	EXBV8V102JV	Network Resistor	
RA605	EXBV8V102JV	Network Resistor	
RA606	EXBV8V102JV	Network Resistor	
RA607	EXBV8V102JV	Network Resistor	
RA610	EXBV8V102JV	Network Resistor	
RA611	EXBV8V102JV	Network Resistor	
RA614	EXBV8V102JV	Network Resistor	
RA615	EXBV8V102JV	Network Resistor	
RA616	EXBV8V102JV	Network Resistor	
RA617	EXBV8V102JV	Network Resistor	
RA621	EXBV8V102JV	Network Resistor	
RA627	EXBV8V104JV	Network Resistor	
RA628	EXBV8V104JV	Network Resistor	
RA901	EXBV8V102JV	Network Resistor	
RA902	EXBV8V102JV	Network Resistor	

11.2. Display Block [E8585A]

IC's and TRANSISTORS

Ref. No.	Part No.	Part Name & Description	Remarks
IC611	C2BBFE000091	IC	
IC612	YEAMNJU6450G	IC	
IC613	YEAMBA823F	IC	

Ref. No.	Part No.	Part Name & Description	Remarks
IC614	YEAMBA823F	IC	
Q611	B1GBCFJN0005	Transistor	
Q612	B1GBCFJN0005	Transistor	
Q613	YEANFP1F3PT1	Transistor	
Q614	YEANFP1F3PT1	Transistor	
Q615	B1ABCF000044	Transistor	
Q616	YEANSFH320T	Transistor	

DIODES

Ref. No.	Part No.	Part Name & Description	Remarks
D901	YEADLST676T	Diode	
D902	YEADLST676T	Diode	
D903	YEADLST676T	Diode	
D904	YEADLST676T	Diode	
D905	YEADLST676T	Diode	
D906	YEADLST676T	Diode	
D907	YEADLST676T	Diode	
D908	YEADLST676T	Diode	
D909	YEADLST676T	Diode	
D910	YEADLST676T	Diode	
D911	YEADLST676T	Diode	
D912	YEADLST676T	Diode	
D913	YEADLST676T	Diode	
D914	YEADLST676T	Diode	
D915	YEADLST676T	Diode	
D916	YEADLST676T	Diode	
D917	YEADLST676T	Diode	
D918	YEADLST676T	Diode	
D919	YEADLST676T	Diode	
D920	YEADLST676T	Diode	
D921	YEADLST676T	Diode	
D922	YEADLST676T	Diode	
D923	YEADLST676T	Diode	
D924	YEADLST676T	Diode	
D925	YEADLST676T	Diode	
D926	YEADLST676T	Diode	
D927	YEADLST676T	Diode	
D928	YEADLST676T	Diode	
D929	YEADLST676T	Diode	
D930	YEADLST676T	Diode	
D931	YEADLST676T	Diode	
D932	YEADLST676T	Diode	
D933	YEADLST676T	Diode	
D934	YEADLST676T	Diode	
D935	YEADLST676T	Diode	
D936	YEADLST676T	Diode	
D937	YEADLST676T	Diode	
D938	YEADLST676T	Diode	
D939	YEADLST676T	Diode	
D940	YEADLST676T	Diode	
D941	YEADLST676T	Diode	
D942	YEADLST676T	Diode	
D943	YEADLST676T	Diode	
D944	YEADLST676T	Diode	
D945	YEADLST676T	Diode	
D946	YEADLST676T	Diode	
D947	YEADLST676T	Diode	
D948	YEADLST676T	Diode	
D949	YEADLST676T	Diode	
D950	YEADLST676T	Diode	
D951	YEADLST676T	Diode	
D952	YEADLST676T	Diode	
D953	YEADLST676T	Diode	
D954	YEADLST676T	Diode	
D955	YEADLST676T	Diode	
D956	YEADLST676T	Diode	
D957	YEADLST676T	Diode	
D958	YEADLST676T	Diode	
D959	YEADLST676T	Diode	
D960	YEADLST676T	Diode	
D961	YEADLST676T	Diode	
D962	YEADLST676T	Diode	
D963	YEADLST676T	Diode	

Ref. No.	Part No.	Part Name & Description	Remarks
D964	YEADLST676T	Diode	
D965	YEADLST676T	Diode	
D966	YEADLST676T	Diode	
D967	YEADLST676T	Diode	
D968	YEADLST676T	Diode	
D969	YEADLST676T	Diode	
D970	YEADLST676T	Diode	
D971	YEADLST676T	Diode	
D972	YEADLST676T	Diode	
D973	YEADLST676T	Diode	
D974	YEADLST676T	Diode	
D975	YEADLST676T	Diode	
D976	YEADLST676T	Diode	
D977	YEADLST676T	Diode	
D978	YEADLST676T	Diode	
D979	YEADLST676T	Diode	
D980	YEADLST676T	Diode	
D981	YEADLST676T	Diode	
D982	YEADLST676T	Diode	
D983	MA159TX	Diode	
D984	MA159TX	Diode	
D985	YEADLSS355T1	Diode	
D986	YEADLST676T	Diode	
D987	YEADLST676T	Diode	
D988	YEADLST676T	Diode	
D989	YEADLST676T	Diode	
D990	YEADLST676T	Diode	
D991	YEADLST676T	Diode	

CAPACITORS

Ref. No.	Part No.	Part Name & Description	Remarks
C611	YECUS1E104ZF	Ceramic, 0.1 μ F 25WV	
C613	YECUS1E104ZF	Ceramic, 0.1 μ F 25WV	
C614	YECUS1E104ZF	Ceramic, 0.1 μ F 25WV	
C617	YECUS1C334KX	Ceramic, 0.33 μ F 16WV	
C618	YECUS1H103ZF	Ceramic, 0.01 μ F 50WV	
C619	YECUS1H103ZF	Ceramic, 0.01 μ F 50WV	
C620	YECUS1H103ZF	Ceramic, 0.01 μ F 50WV	
C621	YECUS1H103ZF	Ceramic, 0.01 μ F 50WV	
C622	YECUS1H103ZF	Ceramic, 0.01 μ F 50WV	
C623	YECUS1E104ZF	Ceramic, 0.1 μ F 25WV	
C625	YECUS1H102KX	Ceramic, 0.001 μ F 50WV	

RESISTORS

Ref. No.	Part No.	Part Name & Description	Remarks
R609	ERJ6GEYJ682	Chip, 6.8k Ω 1/10W	
R613	ERJ12YJ270H	Chip, 27 Ω 1/2W	
R616	ERJ6GEYJ104	Chip, 100k Ω 1/10W	
R617	ERJ6GEYJ104	Chip, 100k Ω 1/10W	
R618	ERJ6GEYJ105	Chip, 1M Ω 1/10W	
R619	ERJ6GEYJ103	Chip, 10k Ω 1/10W	
R622	ERJ6GEYJ105	Chip, 1M Ω 1/10W	
R623	ERJ6GEYJ561	Chip, 560 Ω 1/10W	
R992	ERJ6GEY0R00	Chip, 0 Ω 1/10W	
R993	ERJ6GEY0R00	Chip, 0 Ω 1/10W	

CONNECTORS

Ref. No.	Part No.	Part Name & Description	Remarks
CN611	YEAETKCF08XE	Connector, 8P	
CN613	YEA5243723	Connector, 23P	
CN614	YEA5243723	Connector, 23P	
CN615	YEA5243723	Connector, 23P	
CN617	YEAETKCF06XE	Connector, 6P	

SWITCHES

Ref. No.	Part No.	Part Name & Description	Remarks
SW601	YEAS09320	Switch	
SW602	YEAS09320	Switch	
SW603	YEAS09320	Switch	
SW604	YEAS09320	Switch	
SW605	YEAS09320	Switch	

Ref. No.	Part No.	Part Name & Description	Remarks
SW606	YEAS09320	Switch	
SW607	YEAS09320	Switch	
SW608	YEAS09320	Switch	
SW609	YEAS09320	Switch	
SW610	YEAS09320	Switch	
SW611	YEAS09320	Switch	
SW612	YEAS09320	Switch	
SW613	YEAS09320	Switch	
SW614	YEAS09320	Switch	
SW615	YEAS09320	Switch	
SW616	YEAS09320	Switch	
SW617	YEAS09320	Switch	
SW618	YEAS09320	Switch	
SW619	YEAS09320	Switch	
SW620	YEAS09320	Switch	
SW621	YEAS09320	Switch	
SW622	YEAS09320	Switch	
SW623	YEAS09320	Switch	
SW624	YEAS09320	Switch	
SW625	YEAS09320	Switch	
SW626	YEAS09320	Switch	
SW627	YEAS09320	Switch	
SW628	YEAS09320	Switch	
SW629	YEAS09320	Switch	
SW630	YEAS09320	Switch	

LCD

Ref. No.	Part No.	Part Name & Description	Remarks
LCD601	L5ADALC00001	LCD	

CRYSTALS

Ref. No.	Part No.	Part Name & Description	Remarks
XL611	YEXLCR838M5T	Crystal	

VARIABLE RESISTORS

Ref. No.	Part No.	Part Name & Description	Remarks
VR611	EVQBAD02815B	Variablr resistor	
VR612	EVQBAD02815B	Variablr resistor	

NETWORK RESISTORS

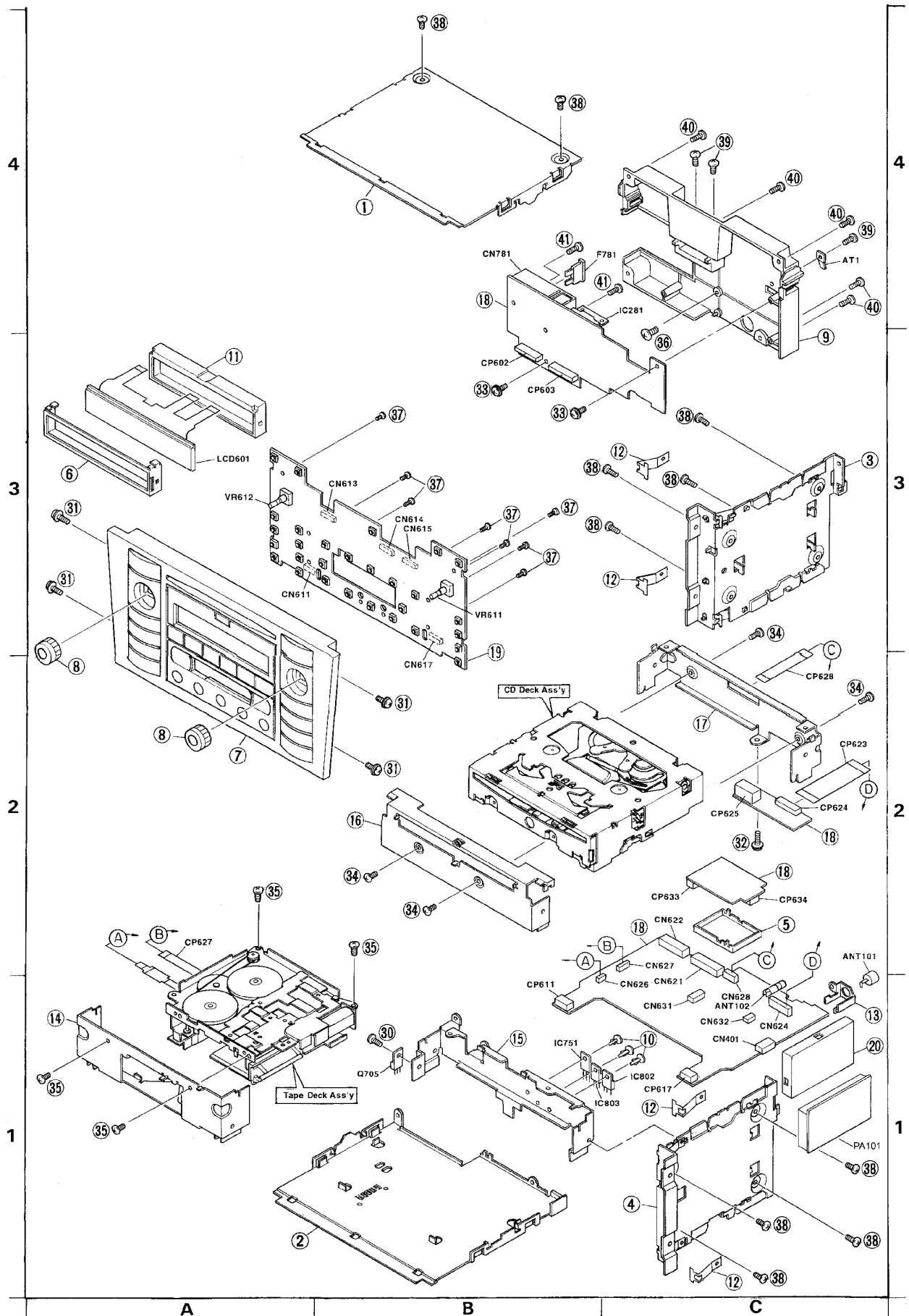
Ref. No.	Part No.	Part Name & Description	Remarks
RA611	YER34MNR681J	Network Resistor	
RA612	YER34MNR681J	Network Resistor	
RA613	YER34MNR681J	Network Resistor	
RA614	YER34MNR681J	Network Resistor	
RA615	EXBV8V102JV	Network Resistor	
RA616	EXBV8V102JV	Network Resistor	
RA617	EXBV8V102JV	Network Resistor	
RA618	EXBV8V682JV	Network Resistor	
RA619	EXBV8V561JV	Network Resistor	
RA620	EXBV8V104JV	Network Resistor	
RA621	EXBV8V102JV	Network Resistor	

11.3. Mechanical Parts

MISCELLANEOUS

Ref. No.	Part No.	Part Name & Description	Remarks
ANT101	YEAA10087	Antenna Receptacle	
ANT102	YEAA10098	Antenna Receptacle	
AT1	YEAT03339	Terminal	
AT1, 2	YEAT03435	Terminal	
F781	K5Y752200001	Fuse, 7.5A	△
1	YEFA031623	Upper Cover	(4-B)
2	YEFA05723	Bottom Cover	(1-B)
3	YEFA09611	Side Plate (L)	(3-C)
4	YEFA09612	Side Plate (R)	(1-C)
5	YEFA131297	Cover, DSP PCB	(2-C)
6	YEFA131388	Cover, LCD	(3-A)
7	YEF025989B	Escutcheon Ass'y	JA1920L
7	YEF026938	Escutcheon Ass'y	JA1924L
8	YEF02300	Knob	(2-A)
9	YEF01950A	Heat Sink	(4-C)
10	YEF05041	Color Rivet	(1-C)
11	YEF06819	Holder, Rubber	(3-A)
12	YEF0052341	Spring	(1-C) (3-C)
13	YEF0214474	Bracket, ANT	(1-C)
14	YEF0214576	Bracket, PCB	(1-A)
15	YEF0214577	Bracket, PCB	(1-B)
16	YEF0214578A	Bracket, Deck	(2-B)
17	YEF0214579	Bracket, Deck	(2-C)
18	YEP0PT6791Z9	PCB w/Component	RTL
19	YEP0PT8585Z9	PCB w/Component	RTL
20	YEFV03376	Magnetic Shield	(1-C)
30	YEJS06017	Screw, M3x8mm	
31	YEJT03007	Tapping Screw, M3x5mm	
32	YEJT03009	Tapping Screw, M3x8mm	
33	YEJT03120	Tapping Screw, M3x8mm	
34	YEJT03131	Tapping Screw, M2.6x5mm	
35	XSB26+4FX	Screw, M2.6x4mm	
36	XSN5+16FX	Screw, M5x16mm	
37	XTB2+6GFX	Tapping Screw, M2x6mm	
38	XTB3+6FFX	Tapping Screw, M3x6mm	
39	XTB3+8JFX	Tapping Screw, M3x8mm	
40	XTB3+8FFX	Tapping Screw, M3x8mm	
41	XYN26+C10FX	Screw, M2.6x10mm	

12 EXPLODED VIEW (Unit)



13 CD PLAYER PARTS

13.1. CD Servo Block [E8550]

IC's and TRANSISTORS

Ref. No.	Part No.	Part Name & Description	Remarks
IC101	YEAMCXA2535	IC	
IC401	YEAMCXD2597Q	IC	
IC451	C2BBFC000021	IC	
IC901	YEAMBA6195FP	IC	
IC951	YEAMBA5971FP	IC	
Q101	2SB766ATX	Transistor	

DIODES

Ref. No.	Part No.	Part Name & Description	Remarks
D402	MA151ATX	Diode	
D451	MA151WKTIX	Diode	
PS1	0N1004	Diode	
PS3	0N1004	Diode	

CAPACITORS

Ref. No.	Part No.	Part Name & Description	Remarks
C101	YECUS1C104KX	Ceramic, 0.1µF 16WV	
C102	YECUS1C104KX	Ceramic, 0.1µF 16WV	
C103	YECUS1C104KX	Ceramic, 0.1µF 16WV	
C104	F3H0J1070005	Tantalum, 100µF 6.3WV	
C105	YECUS1C104KX	Ceramic, 0.1µF 16WV	
C106	YECUS1C224KX	Ceramic, 0.22µF 16WV	
C107	F1K1H121A027	Ceramic, 120PF 50WV	
C108	YECUS1H330JM	Ceramic, 33PF 50WV	
C109	YECUS1H390JM	Ceramic, 39PF 50WV	
C110	YECUS1H222KX	Ceramic, 0.0022µF 50WV	
C111	YECUS1H102KX	Ceramic, 0.001µF 50WV	
C112	YECUS1C104KX	Ceramic, 0.1µF 16WV	
C113	YECUS1C104KX	Ceramic, 0.1µF 16WV	
C114	YECUV1H333JM	Ceramic, 330PF 50WV	
C115	YECUS1C104KX	Ceramic, 0.1µF 16WV	
C116	ECEH0JVC470F	Electrolytic, 47µF 6.3WV	
C118	ECEH0JVC470F	Electrolytic, 47µF 6.3WV	
C119	F1J1H3R0A007	Ceramic, 3PF 50WV	
C401	YECUV2A103KX	Ceramic, 0.01µF 100WV	
C402	YECUV1C474KX	Ceramic, 0.47µF 16WV	
C403	YECUS1H221JM	Ceramic, 220PF 50WV	
C404	YECUS1H152KX	Ceramic, 0.0015µF 50WV	
C405	YECUS1C104KX	Ceramic, 0.1µF 16WV	
C406	ECEH0JVC470F	Electrolytic, 47µF 6.3WV	
C407	YECUS1C104KX	Ceramic, 0.1µF 16WV	
C408	ECEH0JVC470F	Electrolytic, 47µF 6.3WV	
C409	YECUS1C104KX	Ceramic, 0.1µF 16WV	
C410	ECEH0JV101F	Electrolytic, 100µF 6.3WV	
C411	YECUS1C104KX	Ceramic, 0.1µF 16WV	
C412	YECUS1C104KX	Ceramic, 0.1µF 16WV	
C413	YECUS1C104KX	Ceramic, 0.1µF 16WV	
C414	YECUS1C104KX	Ceramic, 0.1µF 16WV	
C415	YECUS1H473KX	Ceramic, 0.047µF 50WV	
C416	YECUS1C104KX	Ceramic, 0.1µF 16WV	
C453	YECUS1C104KX	Ceramic, 0.1µF 16WV	
C454	ECEH0JVC470F	Electrolytic, 47µF 6.3WV	
C455	YECUS1H103KX	Ceramic, 0.01µF 50WV	
C901	YECUS1E333KX	Ceramic, 0.033µF 25WV	
C902	YECUS1C104KX	Ceramic, 0.1µF 16WV	
C903	ECEH1CVC220F	Electrolytic, 22µF 16WV	
C904	YECUS1C104KX	Ceramic, 0.1µF 16WV	
C951	YECUS1H222KX	Ceramic, 0.0022µF 50WV	
C952	YECUV2A222KX	Ceramic, 0.0022µF 100WV	
C953	YECUS1H222KX	Ceramic, 0.0022µF 50WV	
C954	YECUS1H222KX	Ceramic, 0.0022µF 50WV	
C955	ECEH1CVC220F	Electrolytic, 22µF 16WV	
C956	YECUS1C104KX	Ceramic, 0.1µF 16WV	
C957	YECUV1C104KX	Ceramic, 0.1µF 16WV	
C958	YECUS1E333KX	Ceramic, 0.033µF 25WV	
C959	YECUS1E333KX	Ceramic, 0.033µF 25WV	

RESISTORS

Ref. No.	Part No.	Part Name & Description	Remarks
R101	ERJ8GEYJ273V	Chip, 27kΩ 1/8W	
R102	ERJ8GEYJ273V	Chip, 27kΩ 1/8W	
R103	ERJ12YJ330H	Chip, 33Ω 1/2W	
R104	ERJ8GEYJ273V	Chip, 27kΩ 1/8W	
R105	ERJ8GEYJ273V	Chip, 27kΩ 1/8W	
R106	ERJ8GEYJ333V	Chip, 33kΩ 1/8W	
R107	ERJ8GEYJ333V	Chip, 33kΩ 1/8W	
R108	ERJ6GEYJ334	Chip, 330kΩ 1/10W	
R109	ERJ8GEYJ103V	Chip, 10kΩ 1/8W	
R110	ERJ8GEYJ223V	Chip, 22kΩ 1/8W	
R111	ERJ6GEYJ272	Chip, 2.7kΩ 1/10W	
R112	ERJ6GEYJ101	Chip, 100Ω 1/10W	
R113	ERJ8GEYJ124V	Chip, 120kΩ 1/8W	
R115	ERJ8GEYJ103V	Chip, 10kΩ 1/8W	
R116	ERJ6GEYJ101	Chip, 100Ω 1/10W	
R117	ERJ8GEYJ152V	Chip, 1.5kΩ 1/8W	
R401	ERJ8GEYJ102V	Chip, 1kΩ 1/8W	
R402	ERJ8GEYJ472V	Chip, 4.7kΩ 1/8W	
R403	ERJ8GEYJ472V	Chip, 4.7kΩ 1/8W	
R404	ERJ8GEYJ472V	Chip, 4.7kΩ 1/8W	
R405	ERJ8GEYJ472V	Chip, 4.7kΩ 1/8W	
R406	ERJ8GEYJ472V	Chip, 4.7kΩ 1/8W	
R407	ERJ6GEYJ333	Chip, 33kΩ 1/10W	
R408	ERJ6GEYJ103	Chip, 10kΩ 1/10W	
R409	ERJ6GEYJ104	Chip, 100kΩ 1/10W	
R410	ERJ6GEYJ394	Chip, 390kΩ 1/10W	
R411	ERJ6GEYJ103	Chip, 10kΩ 1/10W	
R412	ERJ6GEYJ332	Chip, 3.3kΩ 1/10W	
R413	ERJ6GEYJ332	Chip, 3.3kΩ 1/10W	
R415	ERJ6GEYJ334	Chip, 330kΩ 1/10W	
R416	ERJ6GEYJ564	Chip, 560kΩ 1/10W	
R417	ERJ6GEYJ105	Chip, 1MΩ 1/10W	
R451	ERJ6GEYJ221	Chip, 220Ω 1/10W	
R453	ERJ8GEYJ472V	Chip, 4.7kΩ 1/8W	
R454	ERJ6GEYJ473	Chip, 47kΩ 1/10W	
R455	ERJ8GEYJ473V	Chip, 47kΩ 1/8W	
R456	ERJ8GEYJ472V	Chip, 4.7kΩ 1/8W	
R457	ERJ8GEYJ473V	Chip, 47kΩ 1/8W	
R458	ERJ6GEYJ563	Chip, 56kΩ 1/10W	
R459	ERJ8GEYJ563V	Chip, 56kΩ 1/8W	
R460	ERJ8GEYJ472V	Chip, 4.7kΩ 1/8W	
R901	ERJ8GEYJ223V	Chip, 22kΩ 1/8W	
R902	ERJ6GEYJ103	Chip, 10kΩ 1/10W	
R903	ERJ8GEYJ392V	Chip, 3.9kΩ 1/8W	
R904	ERJ8GEYJ682V	Chip, 6.8kΩ 1/8W	
R905	ERJ6GEYJ103	Chip, 10kΩ 1/10W	
R951	ERJ8GEYJ223V	Chip, 22kΩ 1/8W	
R952	ERJ8GEYJ223V	Chip, 22kΩ 1/8W	
R953	ERJ8GEYJ223V	Chip, 22kΩ 1/8W	
R954	ERJ8GEYJ223V	Chip, 22kΩ 1/8W	
R955	ERJ6GEYJ562	Chip, 5.6kΩ 1/10W	
R956	ERJ8GEYJ562V	Chip, 5.6kΩ 1/8W	
R957	ERJ6GEYJ562	Chip, 5.6kΩ 1/10W	
R958	ERJ6GEYJ562	Chip, 5.6kΩ 1/10W	
R959	ERJ8GEYJ223V	Chip, 22kΩ 1/8W	
R960	ERJ8GEYJ223V	Chip, 22kΩ 1/8W	
R961	ERJ6GEYJ562	Chip, 5.6kΩ 1/10W	
R962	ERJ6GEYJ562	Chip, 5.6kΩ 1/10W	
R964	ERJ8GEYJ472V	Chip, 4.7kΩ 1/8W	
R965	ERJ8GEYJ472V	Chip, 4.7kΩ 1/8W	

CONNECTORS

Ref. No.	Part No.	Part Name & Description	Remarks
CN101	YEA5220715	Connector, 15P	
CN401	YEA0114TKCR	Connector, 14P	
CN901	YEA5227106	Connector, 6P	
CN902	YEA5326102	Connector, 2P	

SWITCHES

Ref. No.	Part No.	Part Name & Description	Remarks
SW2	YEAS09248R	Push Switch	
AS1	YEAS23151A	Leaf Switch	

CRYSTALS

Ref. No.	Part No.	Part Name & Description	Remarks
XL401	YEXLCSTC169T	Crystal OSC	
XL451	YEXLSTCC419T	Crystal OSC	

COIL

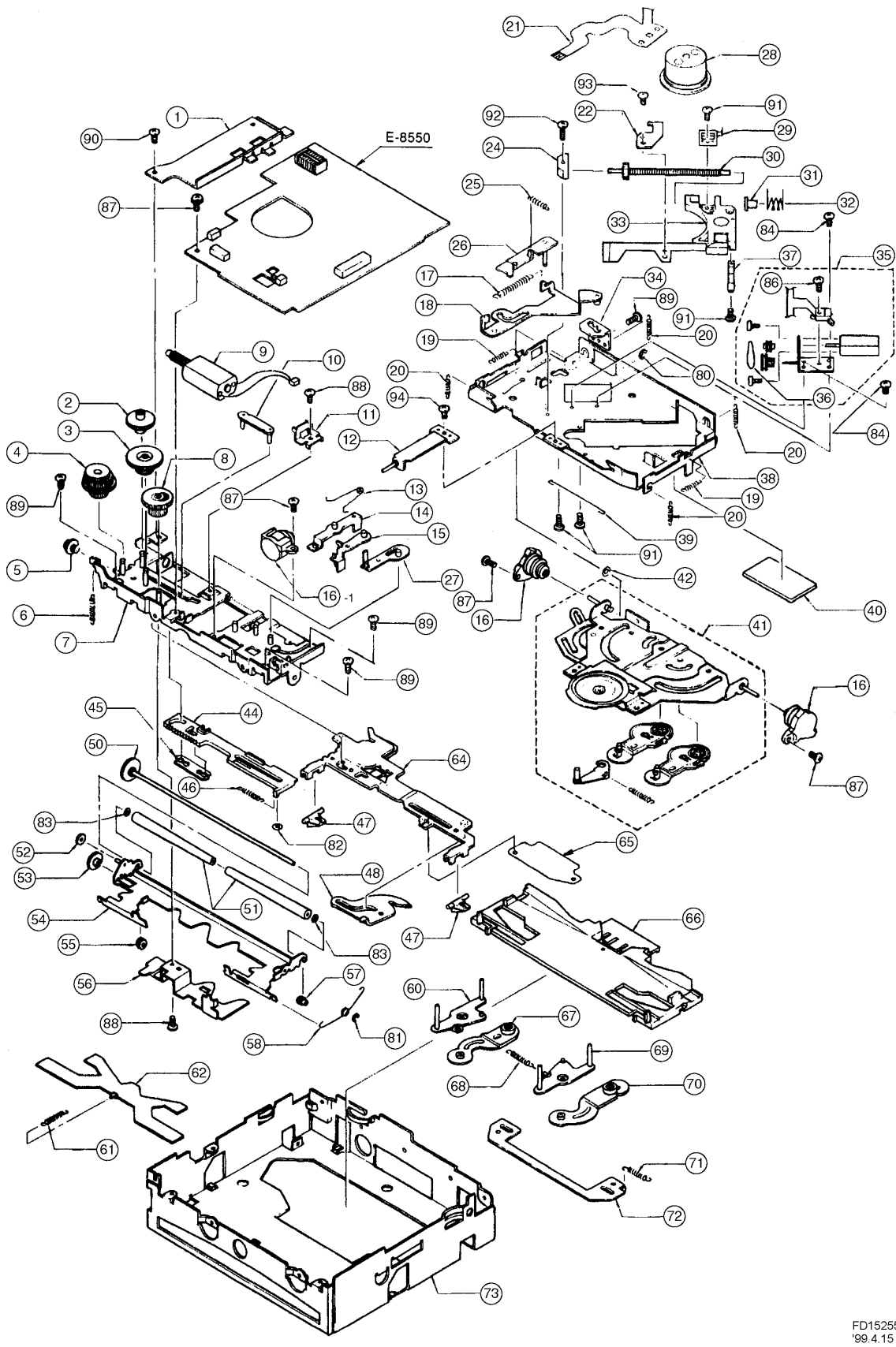
Ref. No.	Part No.	Part Name & Description	Remarks
L101	YELTLM41P750	Coil	

13.2. Miscellaneous

Ref. No.	Part No.	Part Name & Description	Remarks
	YEP0PT8550A1	PCB w/Component	
TP1	YEATSD00405	Bracket	
1	YEFX018497A	PCB Holder	
2	YEFX003732A	Clamper Gear (1)	
3	YEFX003733	Clamper Gear (2)	
4	YEFX003741B	Loding Gear (1)	
5	YEFX003742B	Loding Gear (2)	
6	YEFX0051986	Feeder Arm Spring (1)	
7	YEFA011537K	Front Chassis	
8	YEFX003842	Clamper Gear (3)	
9	YEP0FX2519	Loding Motor Ass'y	
10	YEFX0461879A	Joint Lever Ass'y	
11	YEFX0051997B	Loding Motor Spring	
12	YEFX018435	Dumper Bracket	
13	YEFX0051988C	Switch Lever Spring	
14	YEFX0461662B	OUT Switch Lever	
15	YEFX0461660A	IN Switch Lever	
16	YEFS04692	Dumper (B)	
16-1	YEFS04625	Dumper (A)	
17	YEFX0052000B	Clamper Arm Spring	
18	YEFX0461883A	Clamper Lever Ass'y	
19	YEFX0052107	Suspension Spring	
20	YEFX0051996	Suspension Spring	
21	YEAP2509A	Flat Cable	
22	YEFX9991458A	FPC Holder	
24	YEFW04150	Shaft Holder (A)	
25	YEFX0051998	Change Lever (A) Spring	
26	YEFX0461876A	Change Lever (A) Ass'y	
27	YEFX0461661C	Load Switch Lever	
28	YEP0FX3498	Spindle Motor Ass'y	
29	YEFX9991406B	Feed Screw Holder	
30	YEJT03211	Feed Screw Ass'y	
31	YEFW04137A	Shaft Holder (B)	
32	YEFX0051992	Thrust Adjustment Spring	
33	YESFD13005	Optical Pick-up Ass'y	
34	YEFX234179B	Clamper Cam	
35	YEP0FX3472	Traverse Motor Ass'y	
36	YEFR03080	Belt	
37	YEFX236144A	Traverse Guide	
38	YEFA011733	Suspension Chassis	
39	YEFX0051991C	Side Pressure Spring	
40	YEFS011325	Pad	
41	YEP0FX2522	Clamper Unit	
42	YEFX0051590	Vibration Spring	
44	YEFX003735B	Clamper Rack	
45	YEFX0461880	Fook	
46	YEFX0051987	Clamper Rack Spring	
47	YEFX0461658A	Feeder Lever	
48	YEFX0461654A	Lock Lever (L)	
50	YEP0FX2526	Roller Gear Ass'y	
51	YEFX218282	Rubber Roller	
52	YEFX003762	Roller Gear (4)	
53	YEFX003731A	Loding Gear (3)	
54	YEFX0461846	Feeder Arm Ass'y	
55	YEFW04144	Shaft Holder (1)	

Ref. No.	Part No.	Part Name & Description	Remarks
56	YEFX249408C	Lever Protection Cover	
57	YEFW04138	Shaft Holder (2)	
58	YEFX0052059	Feeder Arm Spring (2)	
60	YEFX0461668E	Detect Lever (R)	
61	YEFX0052032	Lever Spring	
62	YEFX249407A	Lock Control Plate	
64	YEFX0461655A	Lock Lever (R) Ass'y	
65	YEFX9991635	Lock Lever (L)	
66	YEFX236145E	Disc Guide	
67	YEFX0461671B	Detect Arm (R)	
68	YEFX0051994	Lever Spring (A)	
69	YEFX0461669E	Detect Lever (L)	
70	YEFX0461672B	Detect Arm (L)	
71	YEFX0051995	Lever Spring (B)	
72	YEFX0461772	Slide Plate	
73	YEFA011606	Main Chassis	
80	XUC15V	Retaining Ring, 1.5mm	
81	XUC2V	Retaining Ring, 2mm	
82	YEJE01004	Retaining Ring, 2mm	
83	YEBW04128	Washer	
84	YEJS06097A	Screw, 2mm * 2.5mm	
86	YEJS02018FZ	Screw, 1.6mm * 7mm	
87	YEJT03152	Tapping Screw	
88	YEJT03132	Tapping Screw, 2.6mm * 4mm	
89	YEJT03131	Tapping Screw, 2.6 * 5mm	
90	YEJT03180	Tapping Screw, 2.6mm * 6mm	
91	XQN17+A25FX	Screw	
92	XYN2+J10FX	Screw	
93	XYN2+C5FX	Screw, 2mm * 5mm	
94	YEJS06187	Screw, 2mm * 2.5mm	
95	YEJS02037	Screw, 1.7mm * 2.5mm	

14 EXPLODED VIEW (CD Deck)



2

2

1

1

A

B

FD15255
99.4.15

15 TAPE PLAYER PARTS

15.1. Diodes

[E8098A]

Ref. No.	Part No.	Part Name & Description	Remarks
TEL, 2	YEADRP1221	Photo Reflector	

[E8100A]

Ref. No.	Part No.	Part Name & Description	Remarks
D1	YEADEC10DS1	Diode	

15.2. Capacitor

[E8098A]

Ref. No.	Part No.	Part Name & Description	Remarks
C1	YECUV1E334ZF	Ceramic, 0.33 μ F 25WV	

15.3. Resistors

[E8098A]

Ref. No.	Part No.	Part Name & Description	Remarks
R1, 2	ERJ8GEYJ683V	Chip, 68k Ω 1/8W	
R3 to 6	ERJ8GEYJ472V	Chip, 4.7k Ω 1/8W	
R7, 8	ERJ8GEYJ821V	Chip, 820 Ω 1/8W	

[E8100A]

Ref. No.	Part No.	Part Name & Description	Remarks
R1	ERJ6GEYJ472	Chip, 4.7k Ω 1/10W	
R2	ERJ8GEYJ472V	Chip, 4.7k Ω 1/8W	
R3	ERJ6GEYJ472	Chip, 4.7k Ω 1/10W	

15.4. Connectors

[E8098A]

Ref. No.	Part No.	Part Name & Description	Remarks
CN2	YEA012406	Connector, 10P	

[E8100A]

Ref. No.	Part No.	Part Name & Description	Remarks
CN1	YEA012405	Connector, 7P	

15.5. Electric Parts

SWITCHES

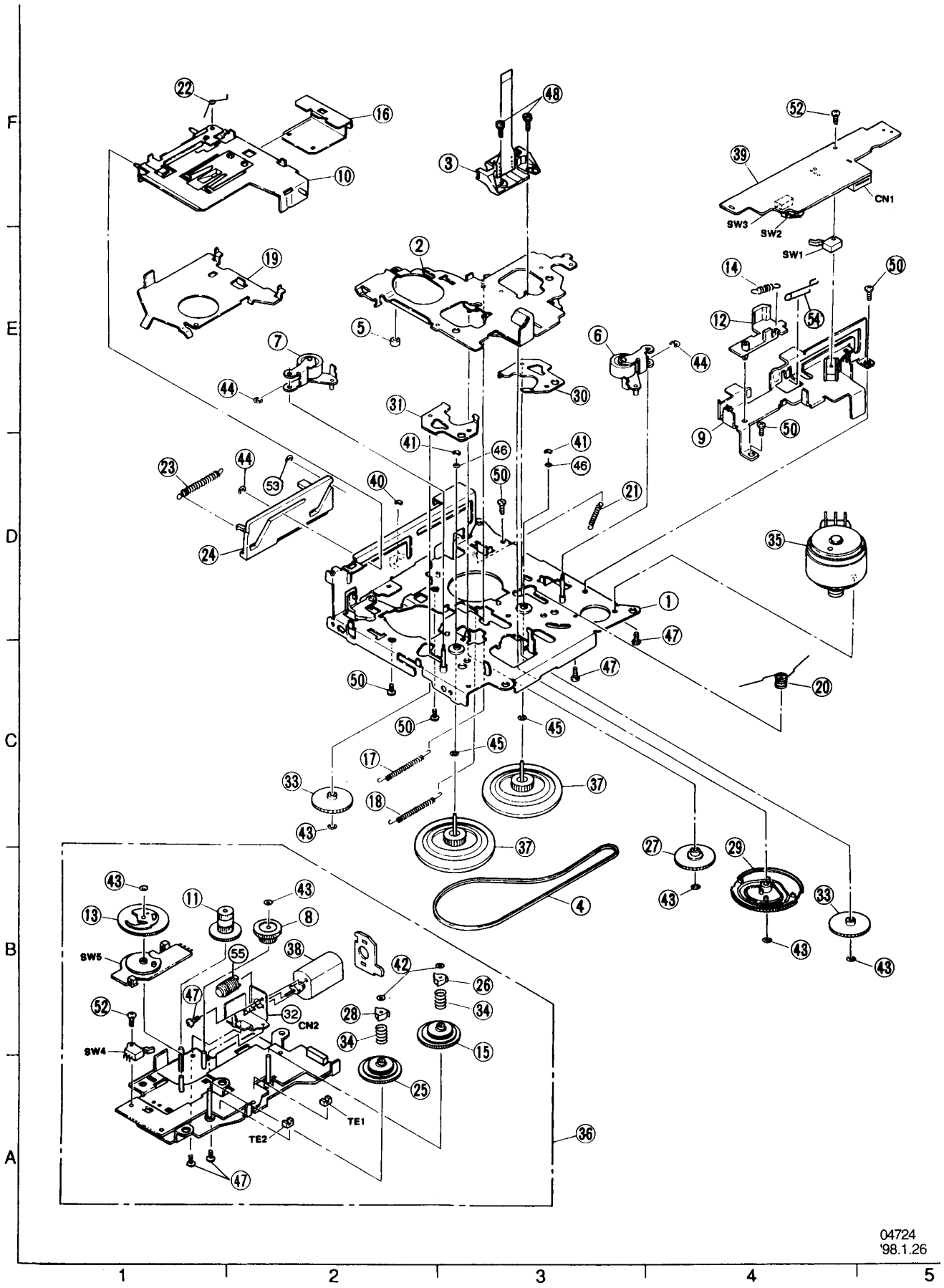
Ref. No.	Part No.	Part Name & Description	Remarks
SW1	YEAS09277	Switch	
SW2	YEAS07174	Slide Switch	
SW3	YEAS08042	Micro Switch	
SW4	YEAS09277	Switch	
SW5	EVQWXY001	Rotary Switch	

15.6. Mechanical Parts

MISCELLANEOUS

Ref. No.	Part No.	Part Name & Description	Remarks
1	YEFA011640A	Main Chassis Ass'y	
2	YEFA011551A	Head Chassis Ass'y	
3	YEP9FZ2473	Head Ass'y	
4	YEFR03083	Belt	
5	YEFW05353	Shaft Collar	
6	YEFX218286	Pinch Roller Ass'y(F)	
7	YEFX218287	Pinch Roller Ass'y(R)	
8	YEFX003748A	Drive Gear(2)	
9	YEFX239424A	Cassette Guide Plate	
10	YEFX0461685D	Cassette Holder Ass'y(U)	
11	YEFX003749	Drive Gear(3)	
12	YEFX0461688A	Lever	
13	YEFX003750	Drive Gear(4)	
14	YEFX0052021A	Lever Spring	
15	YEFX209268A	Reel Ass'y(F)	
16	YEFX0052016	Spring	
17	YEFX0052018	Idler Plate Spring(1)	
18	YEFX0052019	Idler Plate Spring(2)	
19	YEFX0461687D	Cassette Holder(L)	
20	YEFX0052020	Pinch Roller Pressure Spring	
21	YEFX0052022	Rack Return Spring	
22	YEFX0052043A	Lock Plate Spring	
23	YEFX0052023B	Rack Plate Spring	
24	YEFX003752E	Rack Plate	
25	YEFX209269A	Reel Ass'y(R)	
26	YEFX234182	Winding Cam(F)	
27	YEFX003754	Transit Gear	
28	YEFX234183	Winding Cam(R)	
29	YEFX003755	Program Change Gear	
30	YEFX003744A	Idler Gear Plate Ass'y(F)	
31	YEFX003746A	Idler Gear Plate Ass'y(R)	
32	YEFX030097	Thrust Bearing, worm gear	
33	YEFX003753A	Play Idler Gear	
34	YEFX0052015	Back Tension Spring	
35	YEP0FX2565	Main Motor Ass'y	
36	YEP0FX3154	Drive Chassis Block	
37	YEFX213209A	Flywheel	
38	YEP0FX9027S	Loading Motor Ass'y	
39	YEP0PT8100A0	PCB w/Component	RTL
40	XUC15V	Retaining Ring	
41	YEJE01036	Retaining Ring	
42	YEFX014040	Retaining Ring	
43	YEFX014041	Retaining Ring	
44	YEJE01004	Retaining Ring	
45	YEJW05134	Washer	
46	YEJW04123	Washer	
47	YEJS06097A	Screw, 2mm-2.5mm	
48	XYN2+J6FX	Screw, 2mm-5mm	
50	YEJS06185	Screw, 2.6mm-3.5mm	
52	XYN2+C8FX	Screw, 2mm-8mm	
53	YEJE01026	E-Ring	
54	YEFX0052185	Spring	
55	YEFX003779	Worm Gear	

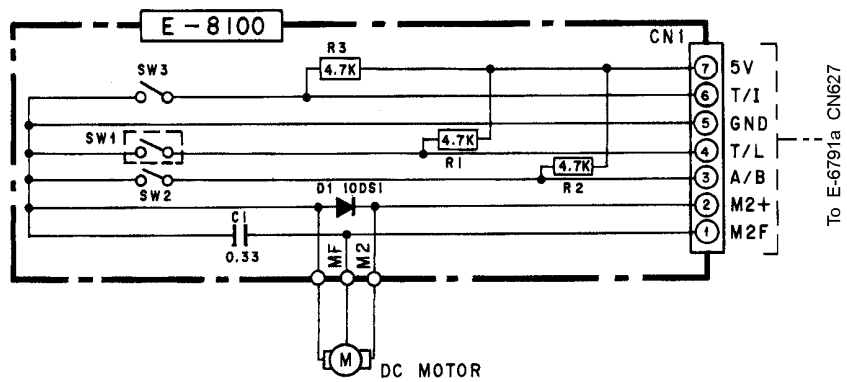
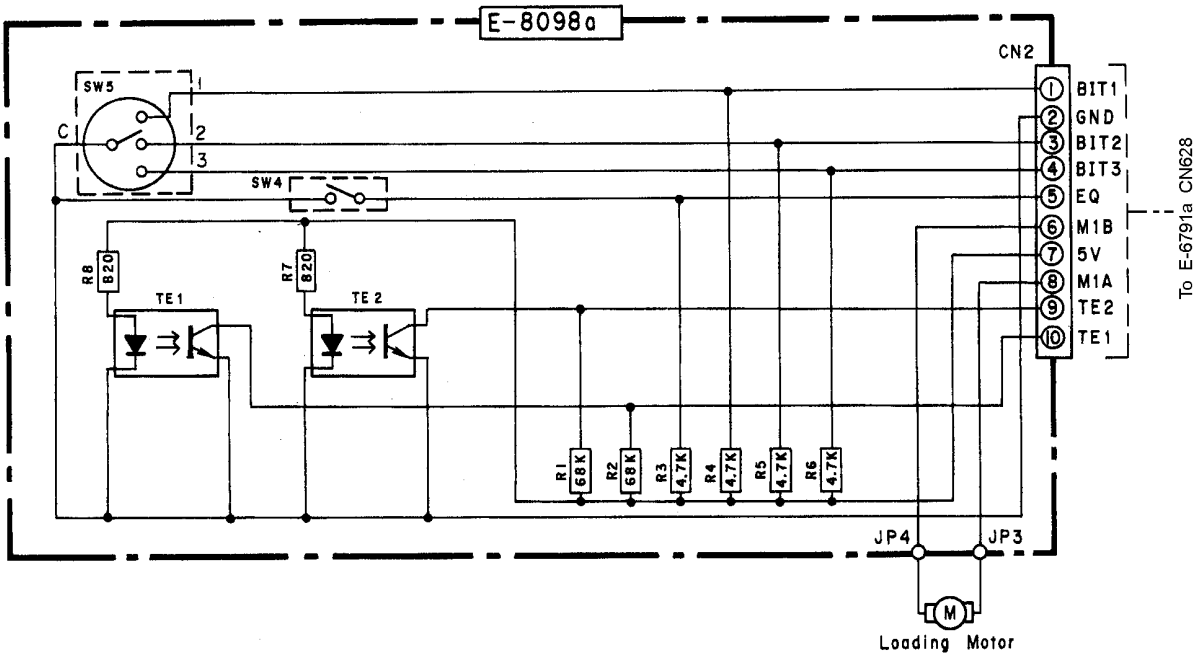
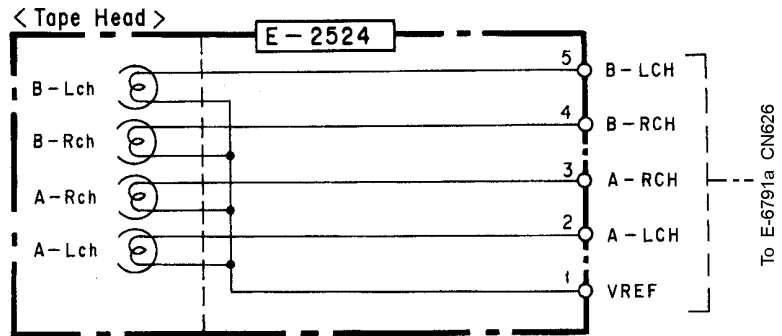
16 EXPLODED VIEW (Tape Deck)



04724
'98.1.26

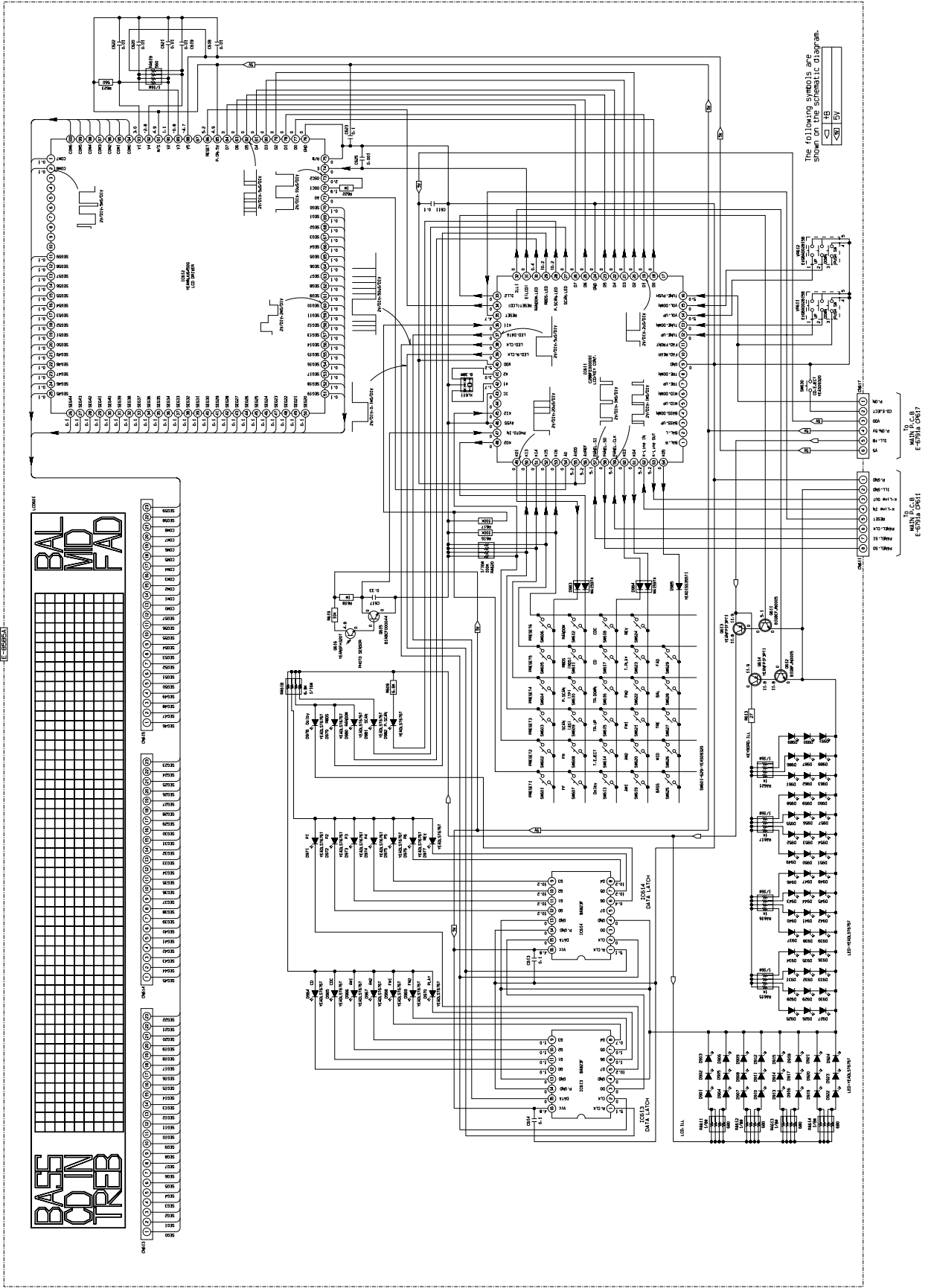
18 SCHEMATIC DIAGRAM -1

18.1. Tape Block

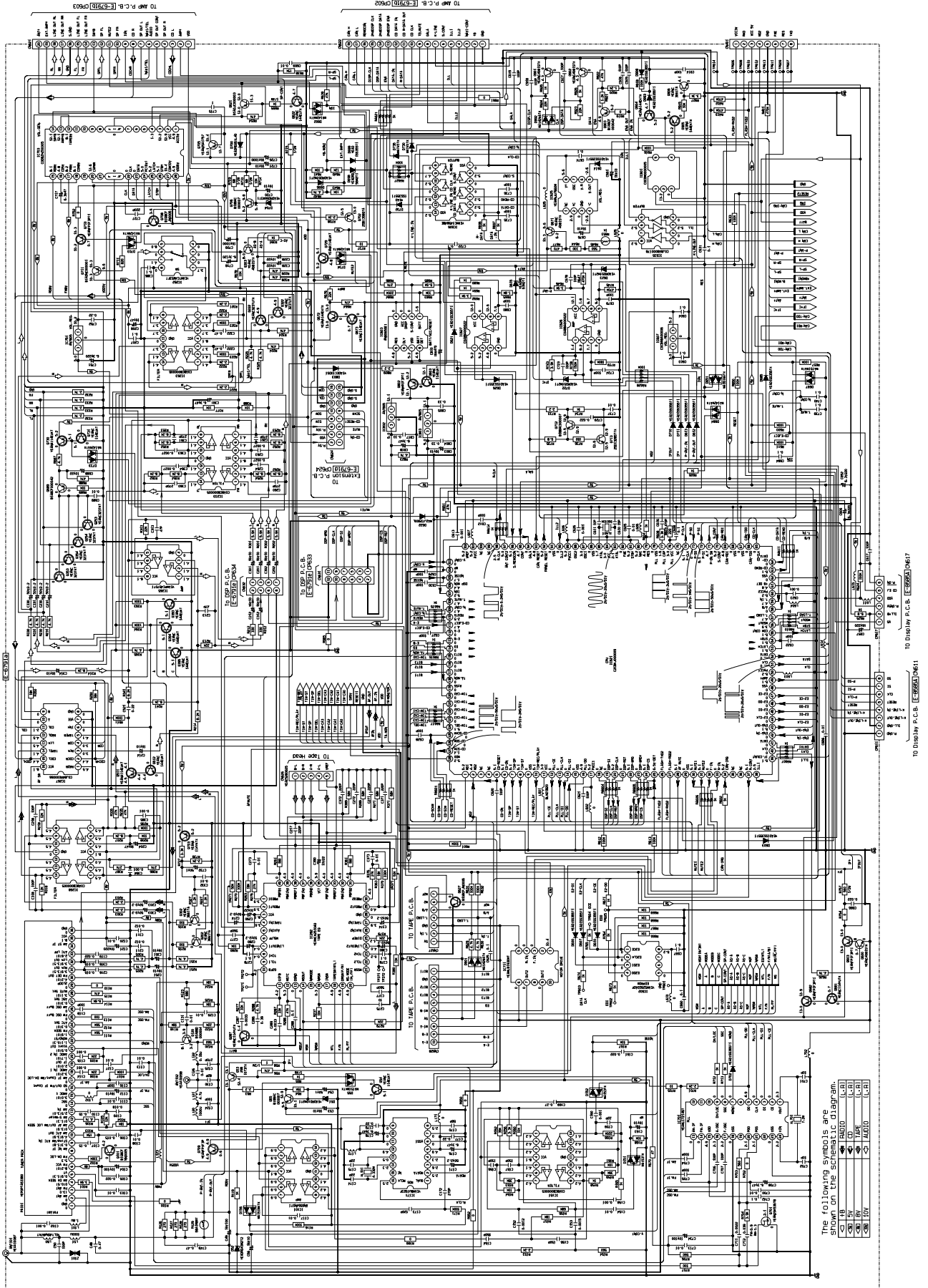


19 SCHEMATIC DIAGRAM -2

19.1. Display Block



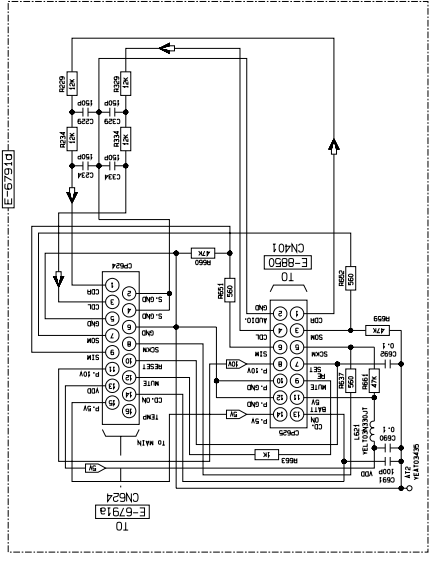
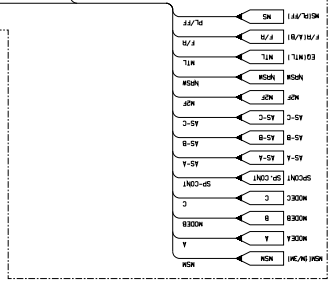
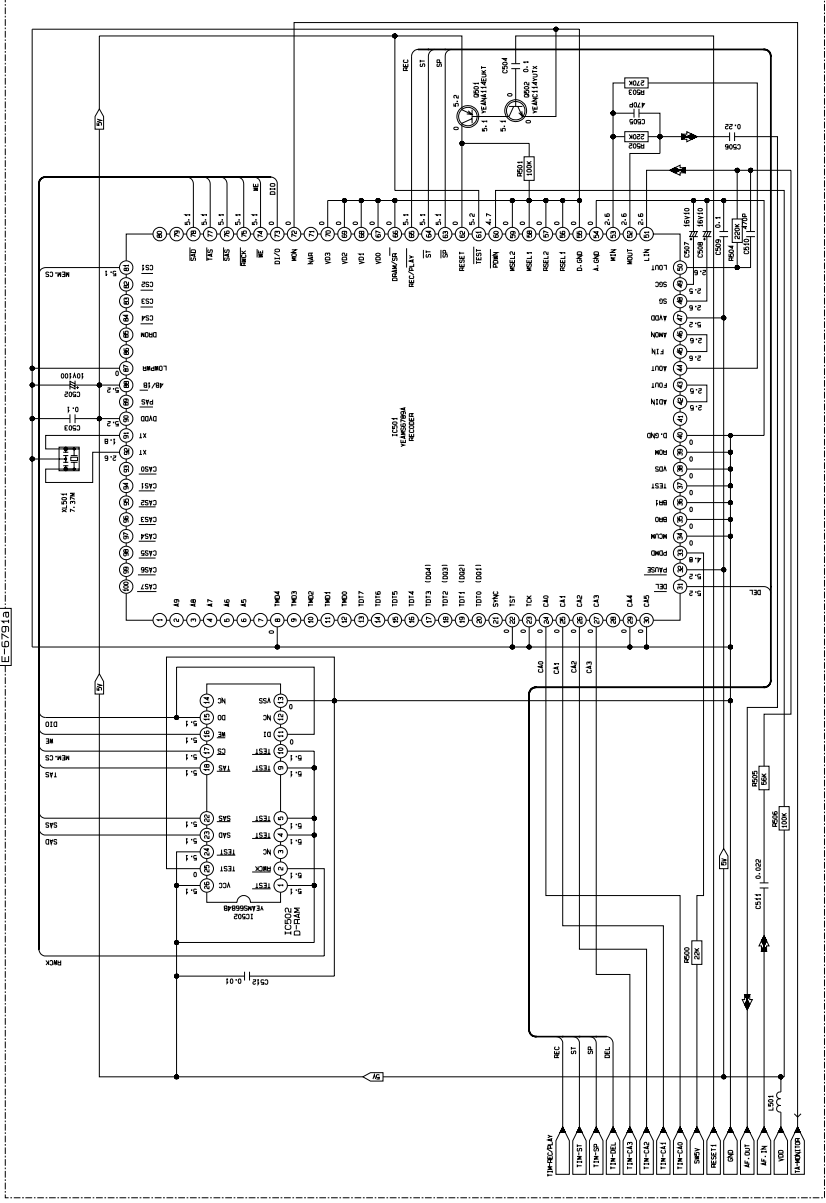
19.2. Main-1 Block



The following symbols are shown on the schematic diagram.

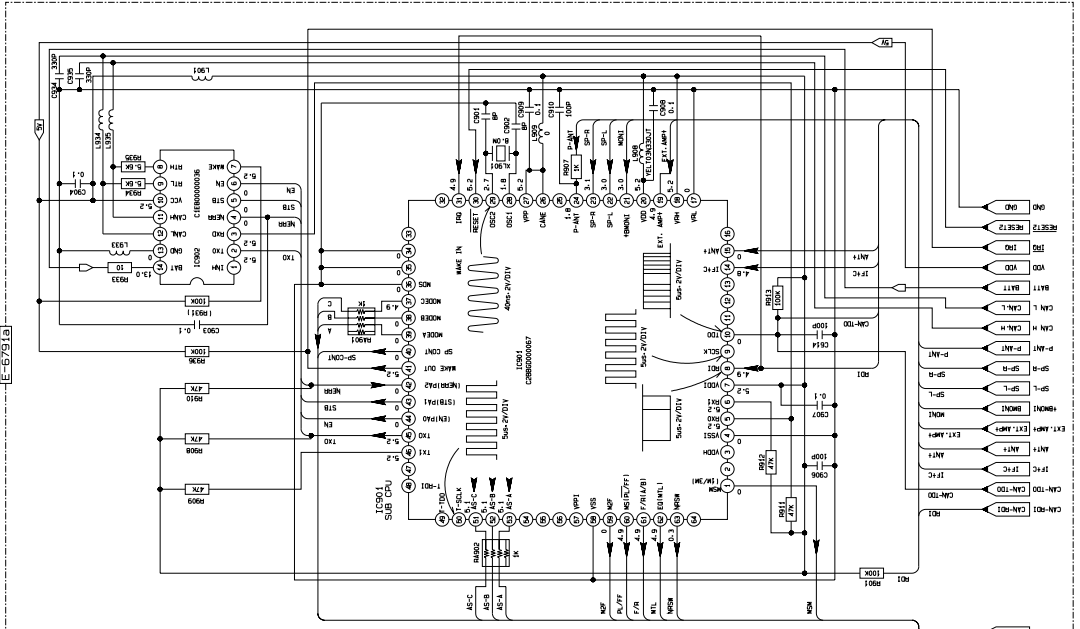
- TO AMP P.C.B. [CQ-519] CQ503
- TO AMP P.C.B. [CQ-519] CQ502
- TO DSP P.C.B. [CQ-519] CQ504
- TO DSP P.C.B. [CQ-519] CQ507
- TO DSP P.C.B. [CQ-519] CQ505
- TO DSP P.C.B. [CQ-519] CQ506

19.3. Main-2 / Connector Block

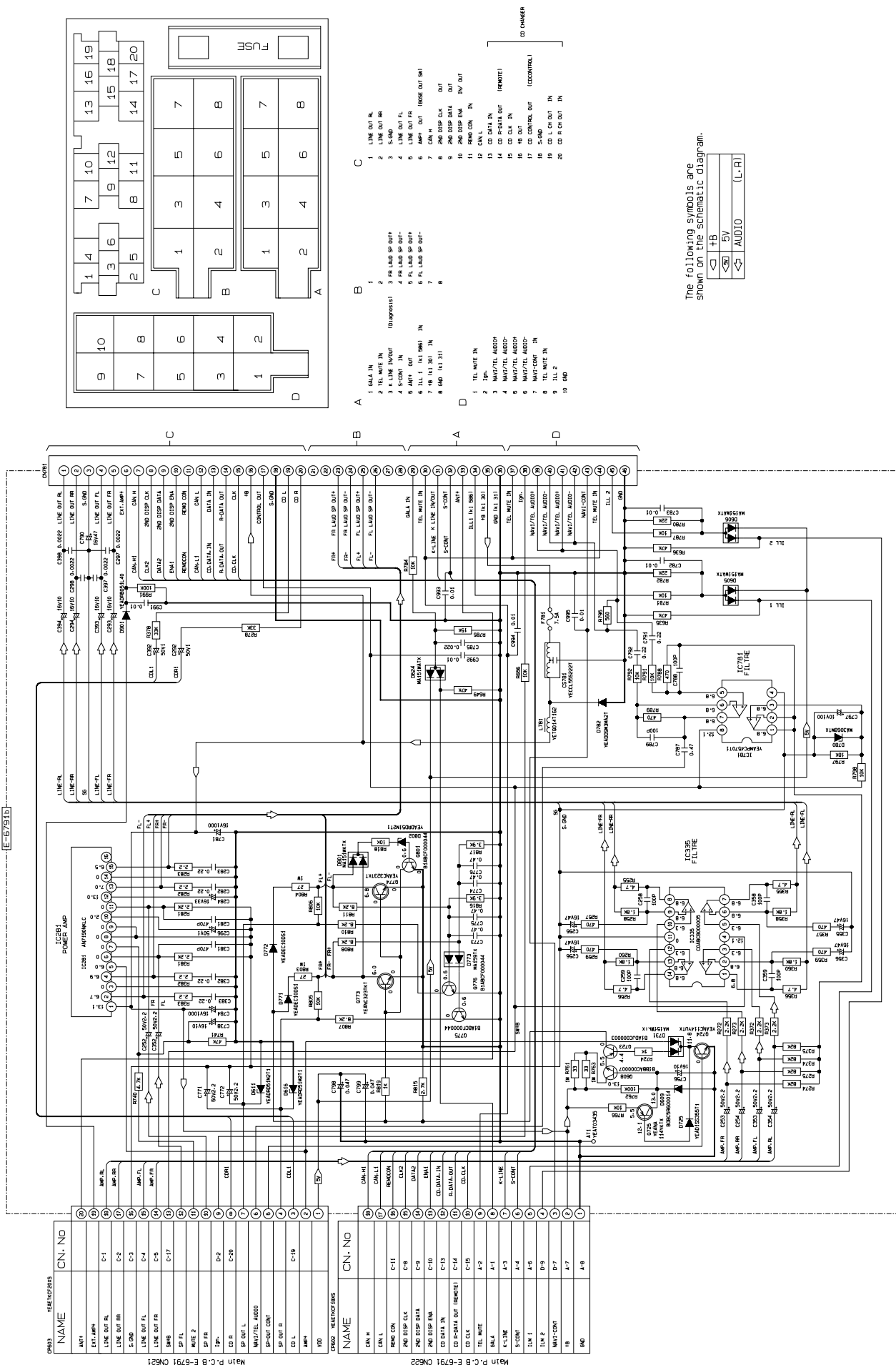


The following symbols are shown on the schematic diagram.

- HB
- 5V
- RADIO
- L-R
- L-R
- L-R

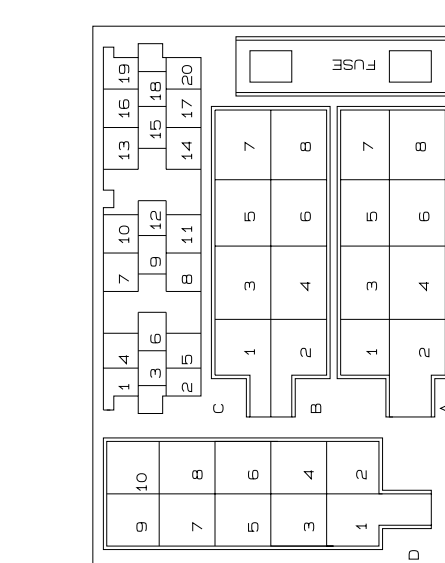


19.4. Amp. Block



NAME	CN. NO
AMP1	C-1
EXT.AMP1	C-2
LINE OUT RL	C-3
LINE OUT RR	C-4
LINE OUT FL	C-5
LINE OUT FR	C-6
SP L	C-7
SP R	C-8
SP OUT L	C-9
SP OUT R	C-10
CD R	C-11
CD L	C-12
AMP1	C-13
YD	C-14

NAME	CN. NO
CD H	C-15
CD L	C-16
REND CON	C-17
CD CLK	C-18
2ND DISP ENA	C-19
CD DATA IN	C-20
CD DATA OUT	C-21
TEL WTE	C-22
TEL WTE IN	C-23
TEL WTE OUT	C-24
FL LAG SP OUT+	C-25
FL LAG SP OUT-	C-26
FL LAG SP IN	C-27
FL LAG SP IN+	C-28
FL LAG SP IN-	C-29
FL LAG SP IN+	C-30
FL LAG SP IN-	C-31
FL LAG SP IN+	C-32
FL LAG SP IN-	C-33
FL LAG SP IN+	C-34
FL LAG SP IN-	C-35
FL LAG SP IN+	C-36
FL LAG SP IN-	C-37
FL LAG SP IN+	C-38
FL LAG SP IN-	C-39
FL LAG SP IN+	C-40
FL LAG SP IN-	C-41
FL LAG SP IN+	C-42
FL LAG SP IN-	C-43
FL LAG SP IN+	C-44
FL LAG SP IN-	C-45
FL LAG SP IN+	C-46
FL LAG SP IN-	C-47
FL LAG SP IN+	C-48
FL LAG SP IN-	C-49
FL LAG SP IN+	C-50
FL LAG SP IN-	C-51
FL LAG SP IN+	C-52
FL LAG SP IN-	C-53
FL LAG SP IN+	C-54
FL LAG SP IN-	C-55
FL LAG SP IN+	C-56
FL LAG SP IN-	C-57
FL LAG SP IN+	C-58
FL LAG SP IN-	C-59
FL LAG SP IN+	C-60
FL LAG SP IN-	C-61
FL LAG SP IN+	C-62
FL LAG SP IN-	C-63
FL LAG SP IN+	C-64
FL LAG SP IN-	C-65
FL LAG SP IN+	C-66
FL LAG SP IN-	C-67
FL LAG SP IN+	C-68
FL LAG SP IN-	C-69
FL LAG SP IN+	C-70
FL LAG SP IN-	C-71
FL LAG SP IN+	C-72
FL LAG SP IN-	C-73
FL LAG SP IN+	C-74
FL LAG SP IN-	C-75
FL LAG SP IN+	C-76
FL LAG SP IN-	C-77
FL LAG SP IN+	C-78
FL LAG SP IN-	C-79
FL LAG SP IN+	C-80
FL LAG SP IN-	C-81
FL LAG SP IN+	C-82
FL LAG SP IN-	C-83
FL LAG SP IN+	C-84
FL LAG SP IN-	C-85
FL LAG SP IN+	C-86
FL LAG SP IN-	C-87
FL LAG SP IN+	C-88
FL LAG SP IN-	C-89
FL LAG SP IN+	C-90
FL LAG SP IN-	C-91
FL LAG SP IN+	C-92
FL LAG SP IN-	C-93
FL LAG SP IN+	C-94
FL LAG SP IN-	C-95
FL LAG SP IN+	C-96
FL LAG SP IN-	C-97
FL LAG SP IN+	C-98
FL LAG SP IN-	C-99
FL LAG SP IN+	C-100



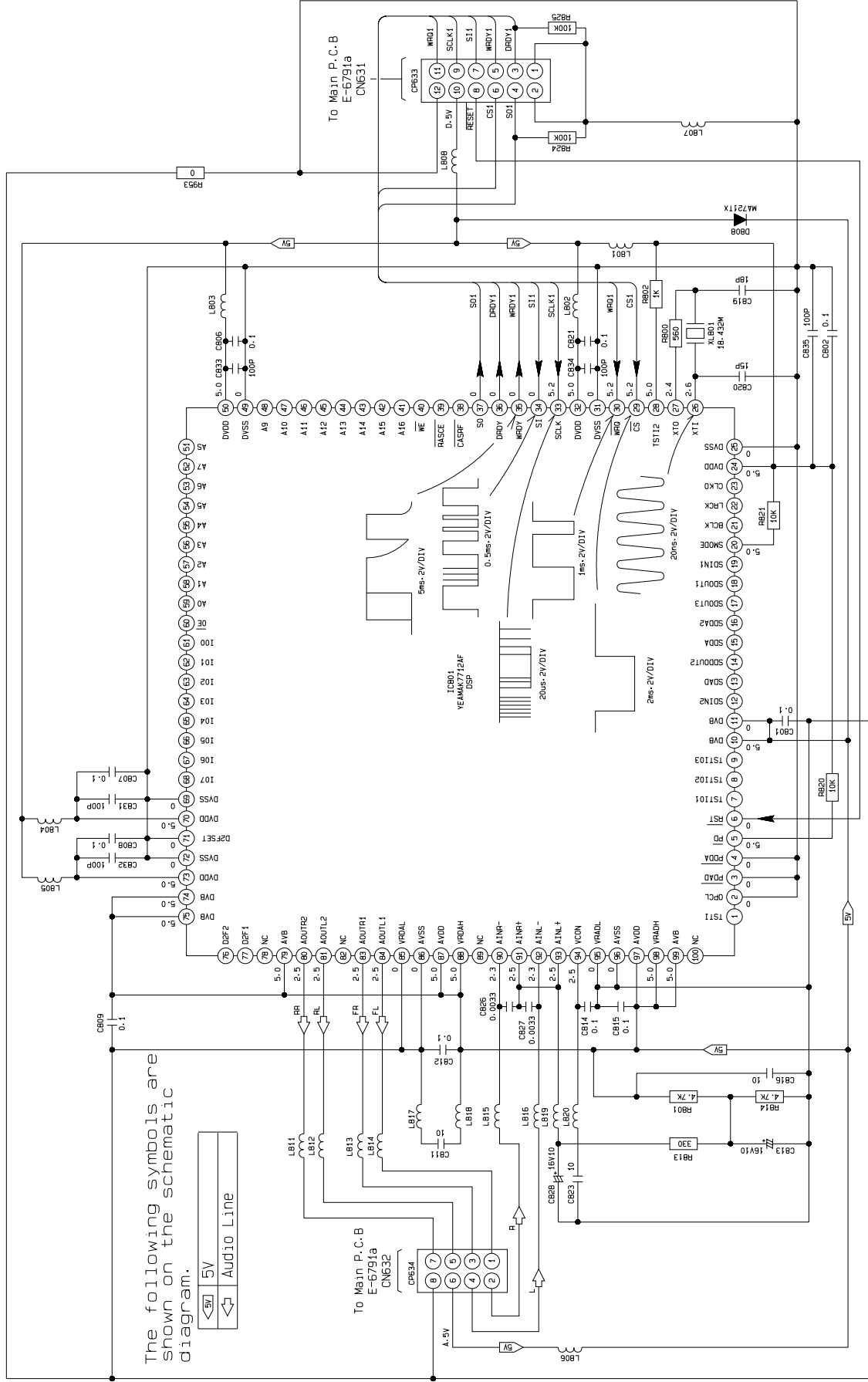
- A**
- 1 TEL WTE IN
 - 2 TEL WTE IN
 - 3 K LINE IN/OUT
 - 4 S-CONT IN
 - 5 AMP1 OUT
 - 6 AMP1 OUT
 - 7 HS 14, 301 IN
 - 8 0ND 14, 311 IN
- B**
- 1
 - 2
 - 3 FR LAG SP OUT+
 - 4 FR LAG SP OUT-
 - 5 FR LAG SP OUT+
 - 6 FR LAG SP OUT-
 - 7 FR LAG SP IN+
 - 8
- C**
- 1 LINE OUT RL
 - 2 LINE OUT RR
 - 3 S-0ND
 - 4 LINE OUT FL
 - 5 LINE OUT FR
 - 6 AMP1 OUT
 - 7 AMP1 OUT
 - 8 2ND DISP ENA IN
 - 9 2ND DISP ENA IN
 - 10 2ND DISP ENA IN
 - 11 2ND DISP ENA IN
 - 12 CD DATA IN
 - 13 CD DATA IN
 - 14 CD DATA IN
 - 15 CD DATA IN
 - 16 CD DATA IN
 - 17 CD CONTROL OUT
 - 18 S-0ND
 - 19 CD L CH OUT IN
 - 20 CD R CH OUT IN
- D**
- 1 TEL WTE IN
 - 2 0ND
 - 3 AMP1/TEL AMODH
 - 4 AMP1/TEL AMODH
 - 5 AMP1/TEL AMODH
 - 6 AMP1/TEL AMODH
 - 7 AMP1/TEL AMODH
 - 8 TEL WTE IN
 - 9 TEL WTE IN
 - 10 0ND

The following symbols are shown on the schematic diagram.

◁ FB	5V	(L-R)
▷	5V	(L-R)
◁	AUDIO	(L-R)
▷	AUDIO	(L-R)

19.5. DSP Block

E-6791E



19.6. CD Servo Block

